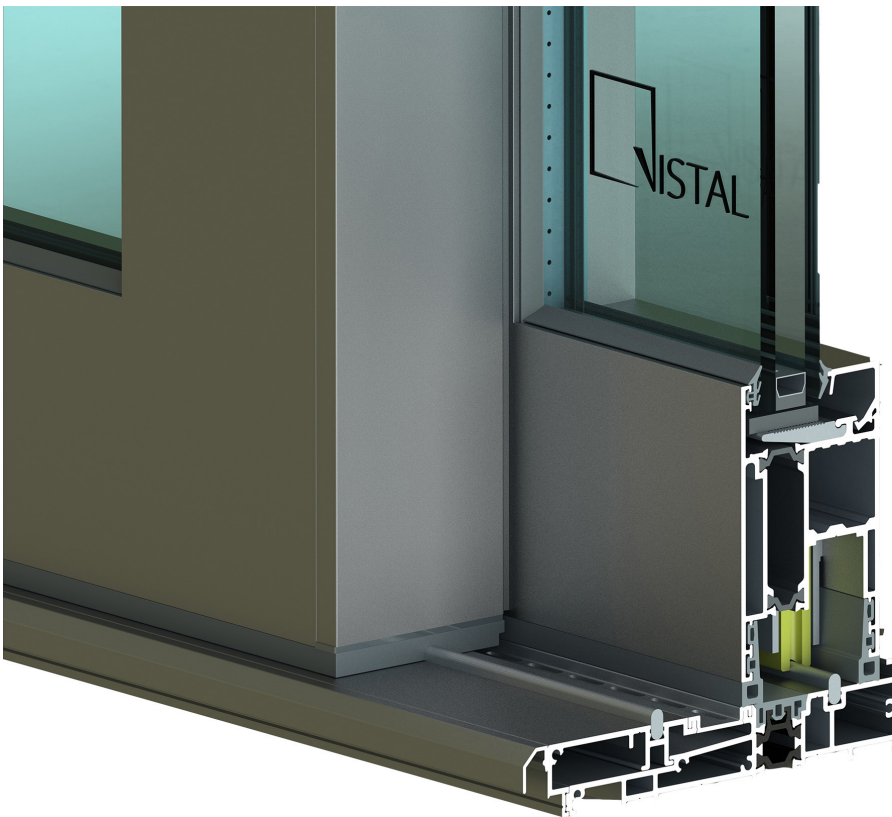
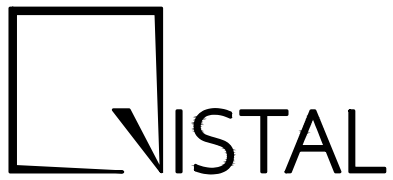


# TECHNICAL CATALOG

Aluminum Door Window And Facade System



Frame height size: 30 mm

Frame width size: 136 mm

Sash height size: 94.7 mm

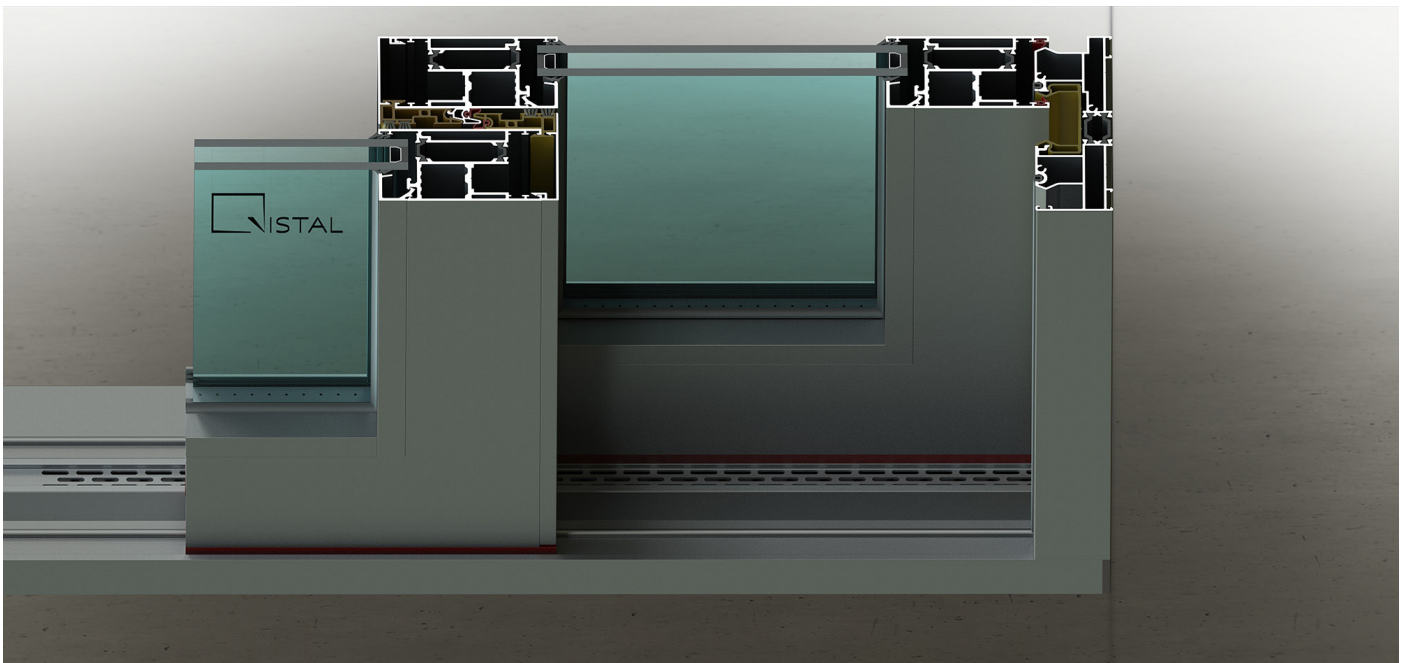
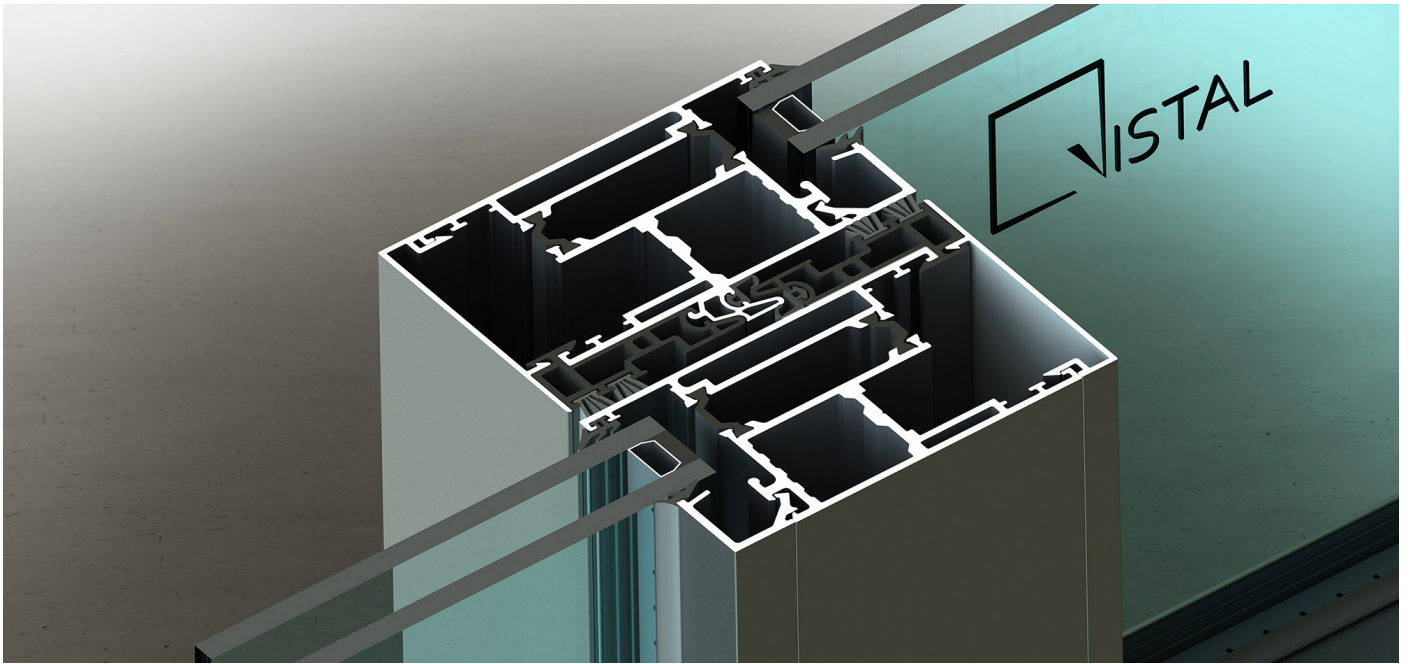
Sash width size: 56 mm


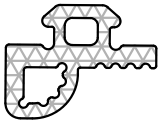
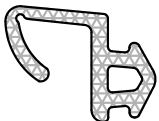
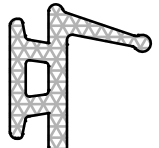
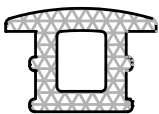
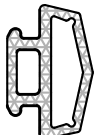
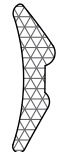



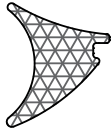
Profile wall thickness: 1.4-2 mm

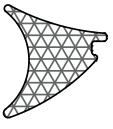
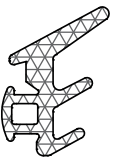
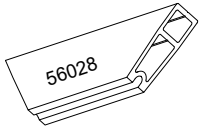
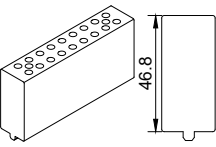
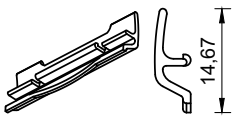
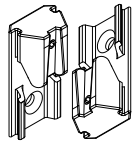
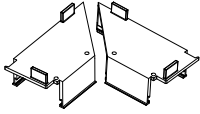
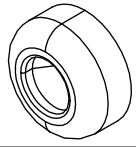
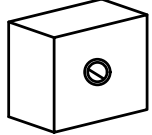
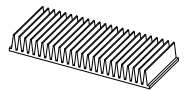
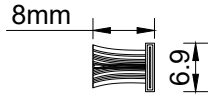
Polyamide size: 24/18/14.8 mm

Glass thickness: 8-40 mm

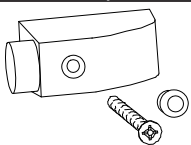
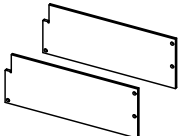
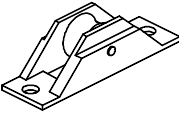

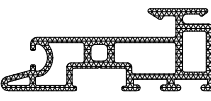
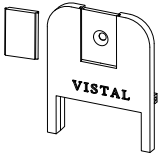
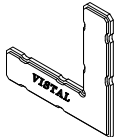
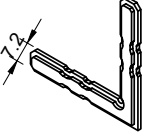
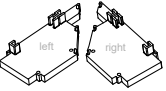
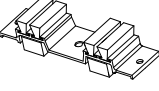
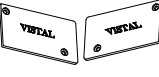
# 5560 TRESHOLD



	Shape	Codee	Description
CS59		560-1011	corner adapter gasket EPDM
CS68		560-1012	corner adapter gasket EPDM
CS68F		56300	interlock gasket EPDM
CS68H		300-176	300-176 EPDM
CS77		300-177	300-177 EPDM
CS77H		300-181	Gasket for 56026 adapter profile EPDM
MASTERLINE8		G1002	inner glazing gasket (2mm)
SLIMLINE38		G1003	inner glazing gasket (3mm)
S560		G1004	inner glazing gasket (4mm)
S560 Mono		G1005	inner glazing gasket (5mm)
S560 Threshold		G1006	inner glazing gasket (6mm)

Shape	Codee	Description
	G1007	inner glazing gasket (7mm)
	mo68	outer glazing gasket
	560-1007	sash fixing profile ALUMINUM
	560-1021	sash fixing -pvc PVC
	560-1039	sash stabilization spacer POLYAMID
	560-1013	Corner stile locking point STEEL
	560-1014	corner adapte end cap POLYAMID
	560-1010	Shock absorber for sash for lift & slide EPDM
	560-1050	fix sash stoper EPDM
	560-1017	central sealing buttom EPDM
	620-69-108	central locking sealing gasket

CS59  
CS68  
CS68F  
CS68H  
CS77  
CS77H  
MASTERLINE8  
SLIMLINE38  
S560  
S560 Mono  
S560 Threshold

Shape	Codee	Description
	560-1004	rear stoper PLASTIC
	560-1042	56049 end caps ALUMINUM
	fly screen roller	fly screen roller EPDM
	PVC900	frame isolation gasket PVC
	PVC901	central locking sealing gasket PVC
	560-1003	Top and bottom interlock POLYAMID
	560-1001	sash alignment corner POLYAMID
	560-1037	sash alignment corner POLYAMID
	560-1040	Lower EPDM for adjoining profile cover 56030-56031
	central sealing top	central sealing top ALUMINUM
	3820 end caps	3820 end caps POLYAMID

CS59

CS68

CS68F

CS68H

CS77

CS77H

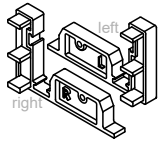
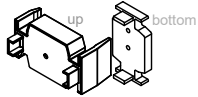
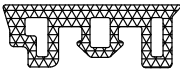
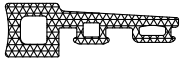
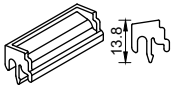
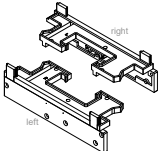
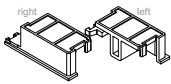
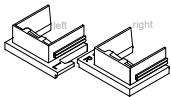
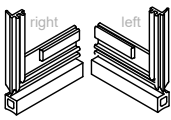
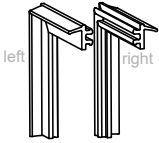
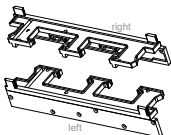
MASTERLINE8

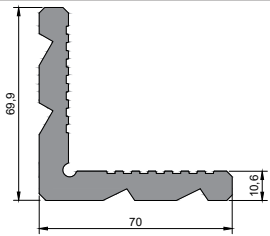
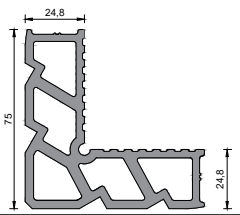
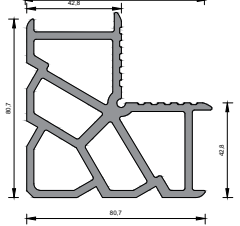
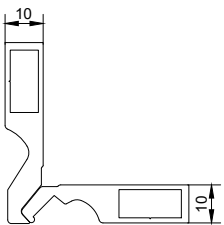
SLIMLINE38

S560

S560 Mono

S560 Threshold

Shape	Codee	Description	
	560-1032	Lower epdm for adjoining prof.56026 EPDM	CS59
	560-1036	meeting stile cap POLYAMID	CS68
	300-221	Short guide gasket EPDM	CS68F
	300-222	interlock gasket EPDM	CS68H
	560-1038	Clip for ext.water evacuation POLYAMID	CS77
	560-1035	Cover for low profile driver POLYAMID	CS77H
	560-1030	Endcap weath.prof.sash POLYAMID	MASTERLINE8
	560-1031	End cap gasket mount for weathering profile EPDM	SLIMLINE38
	560-1033	Sash vulcanized corner EPDM	S560
	560-1041	Sash vulcanized corner EPDM	S560 Mono
	560-1034	Cover for low profile driver POLYAMID	S560 Threshold

Shape	Codee	Description
	C10.6	corner cleat 3.430 kg/m
	C24.8	corner cleat 3.800 kg/m
	C42.8	corner cleat 4.590 kg/m
	PC B10	corner cleat (punch)

CS59

CS68

CS68F

CS68H

CS77

CS77H

MASTERLINE8

SLIMLINE38

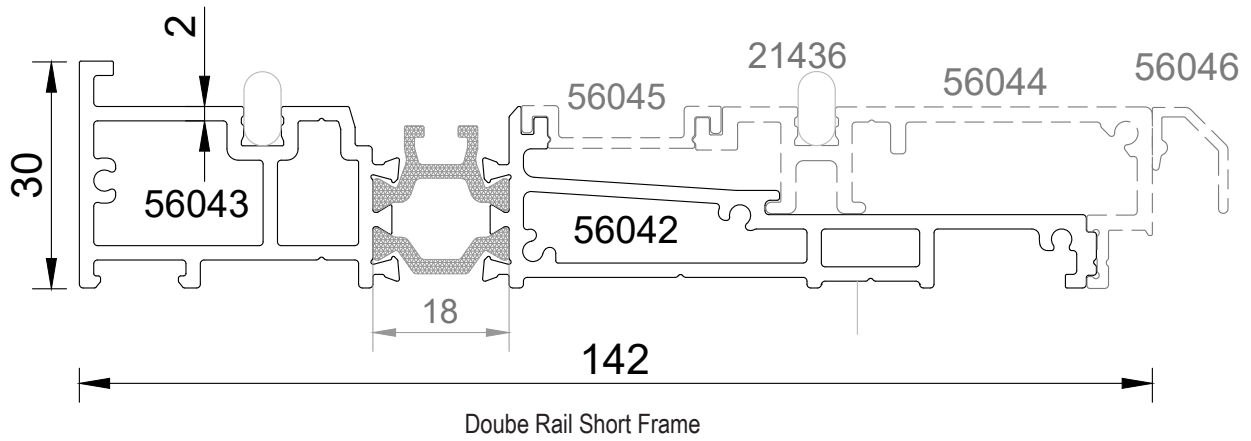
S560

S560 Mono

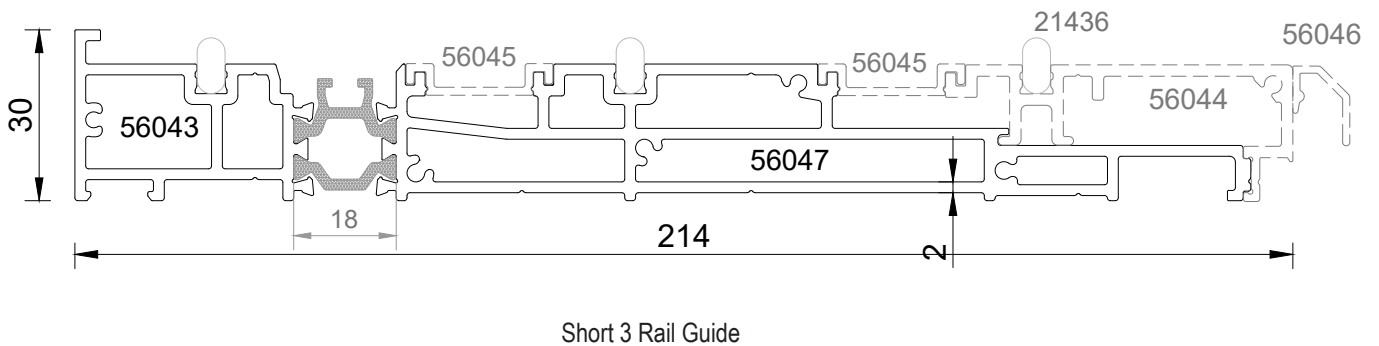
S560 Threshold

CODE	WEIGHT(kg/m)	Ix cm <sup>4</sup>	Iy cm <sup>4</sup>
56042-56043	2.181	4.21	114.28
56043-56047	3.567	7.19	418.36

### 56042-56043



### 56043-56047

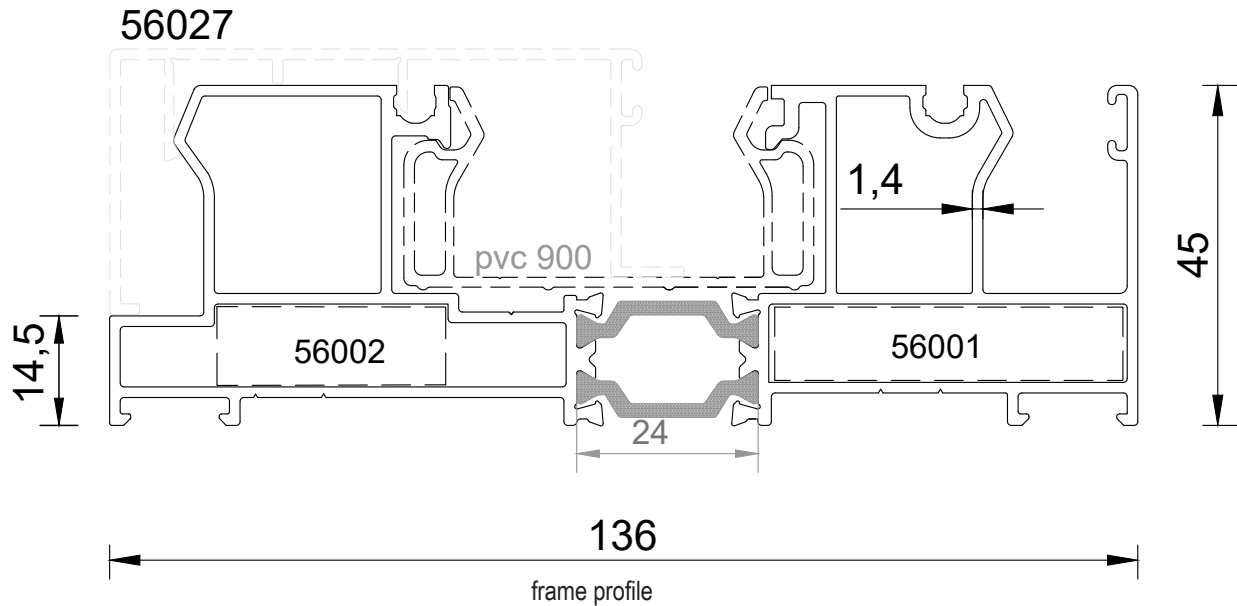


- CS59
- CS68
- CS68F
- CS68H
- CS77
- CS77H
- MASTERLINE8
- SLIMLINE38
- S560
- S560 Mono
- S560 Threshold

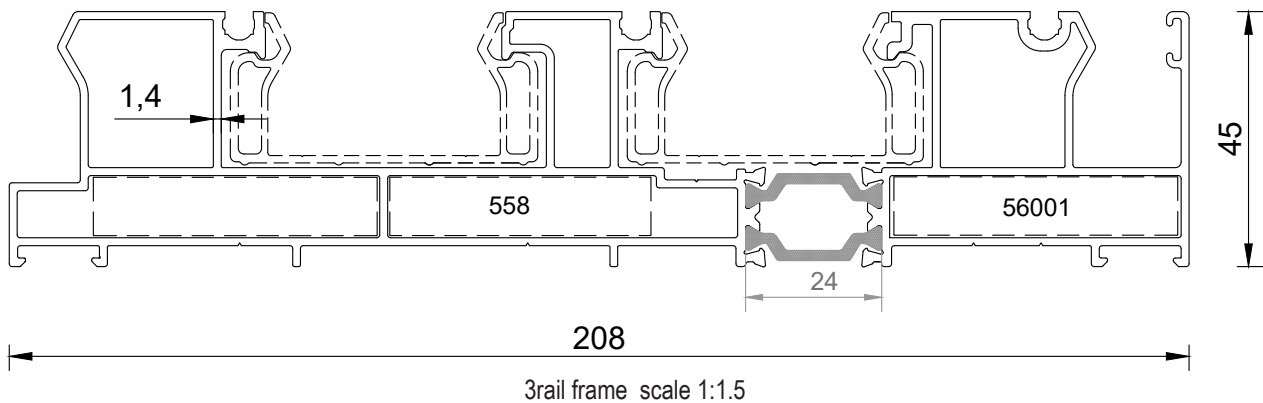


CODE	WEIGHT(kg/m)	Ix cm <sup>4</sup>	Iy cm <sup>4</sup>
56001-56002	2.500	19.8	151
558-56001	3.500	27.35	504.2

**56001-56002**

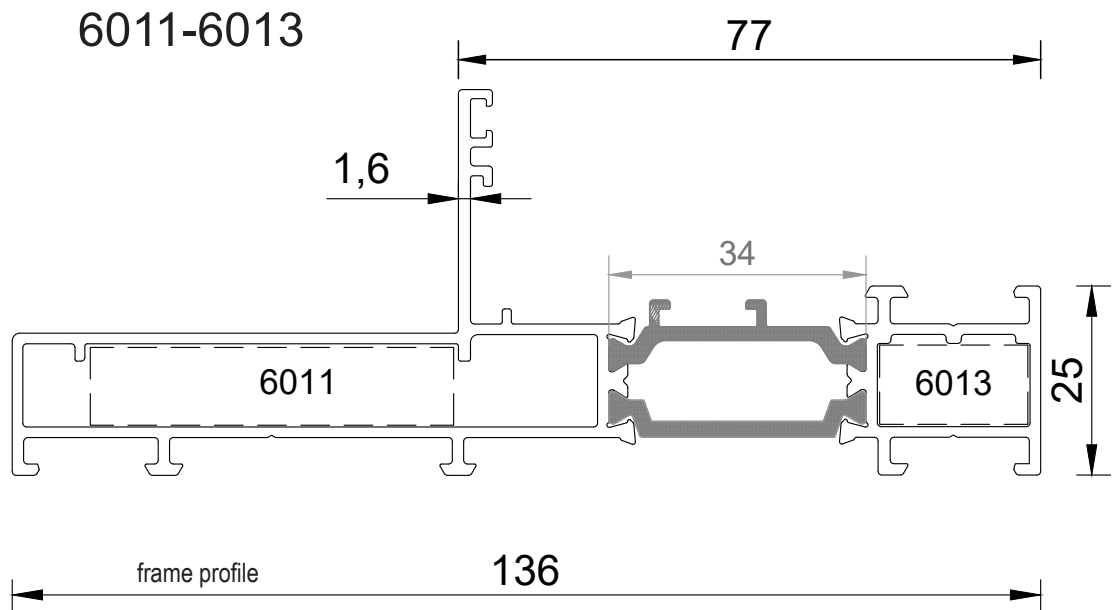
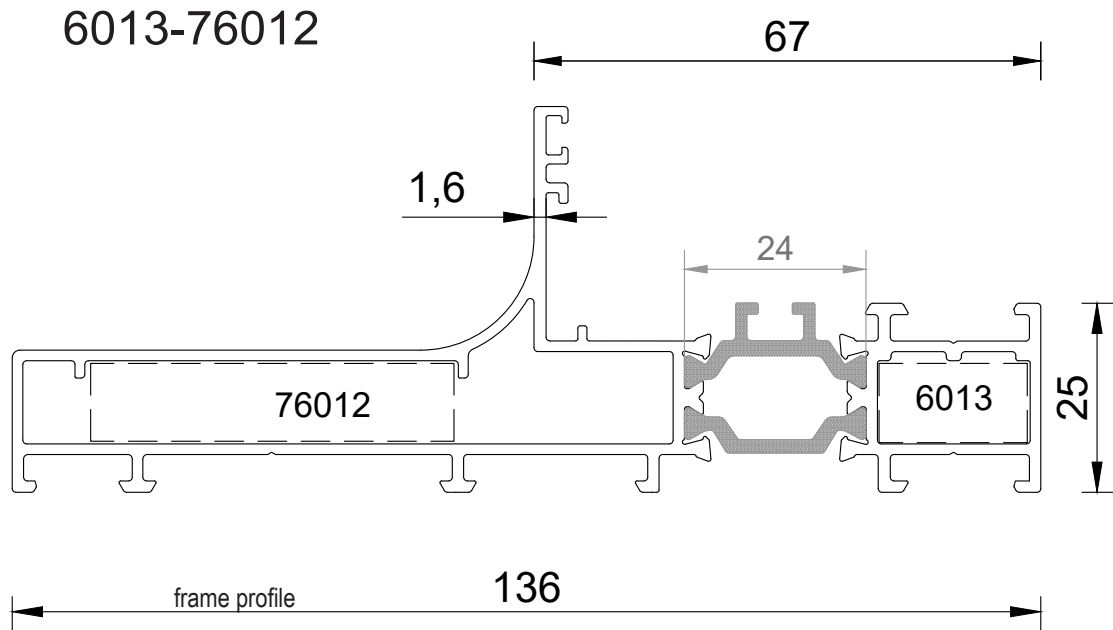


**558-56001**



profile	corner cleat	shape	cutting size	punch corner	shape	leinght
56001-56002	C10.6		28.5 mm	PC B10		28 mm
	C10.6		49 mm	PC B10		48.5 mm
56002-56003	C10.6		28.5 mm	PC B10		28 mm
	C10.6		28.5 mm	PC B10		28 mm

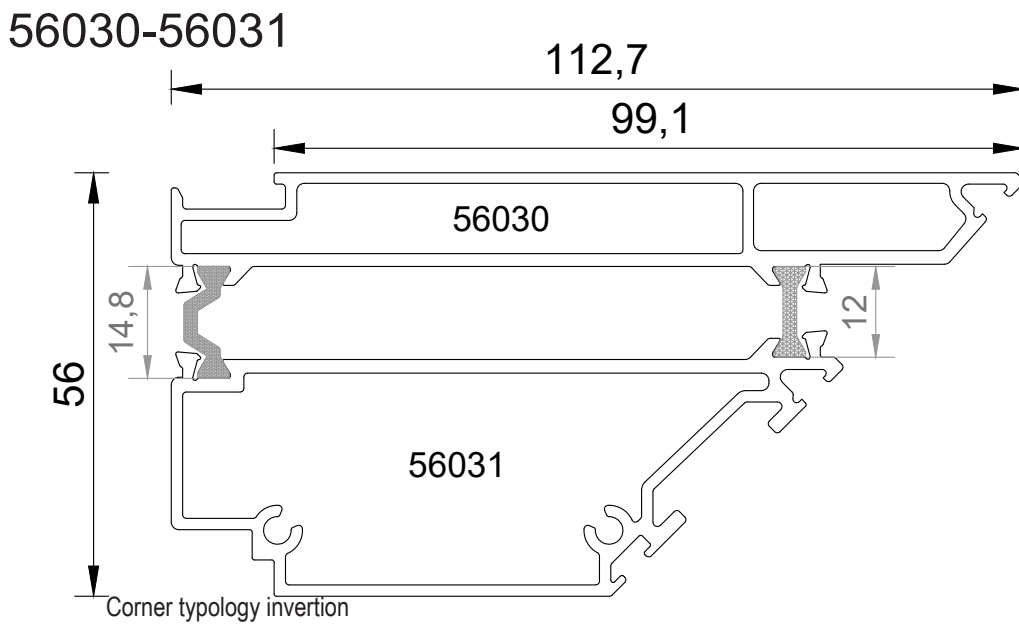
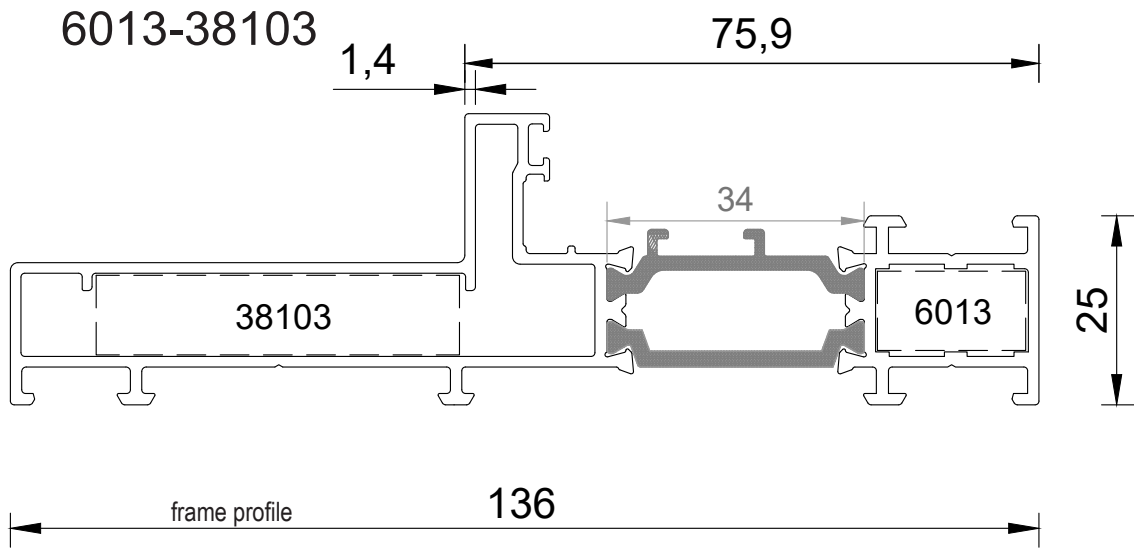
CODE	WEIGHT(kg/m)	Ix cm <sup>4</sup>	Iy cm <sup>4</sup>
6013-76012	1.930	7.55	111.23
6011-6013	1.860	7.32	110.88



profile	corner cleat	shape	cutting size	punch corner	shape	leinght
6013-76012	C10.6		19.8 mm	PC B10		19.2 mm
	C10.6		49 mm	PC B10		48.5 mm
6011-6013	C10.6		19.8 mm	PC B10		19.2 mm
	C10.6		49 mm	PC B10		48.5 mm

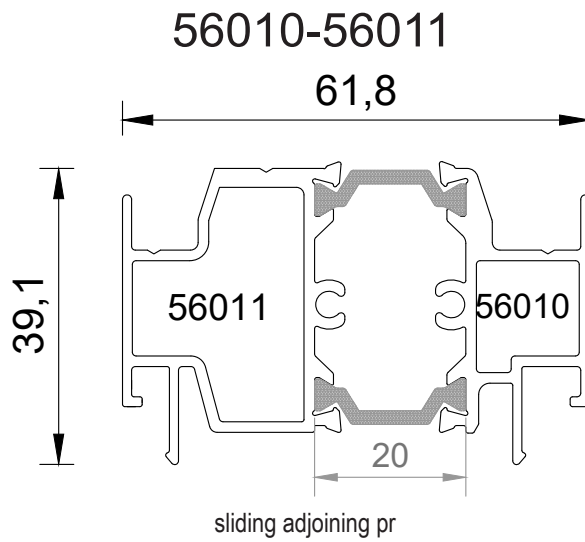
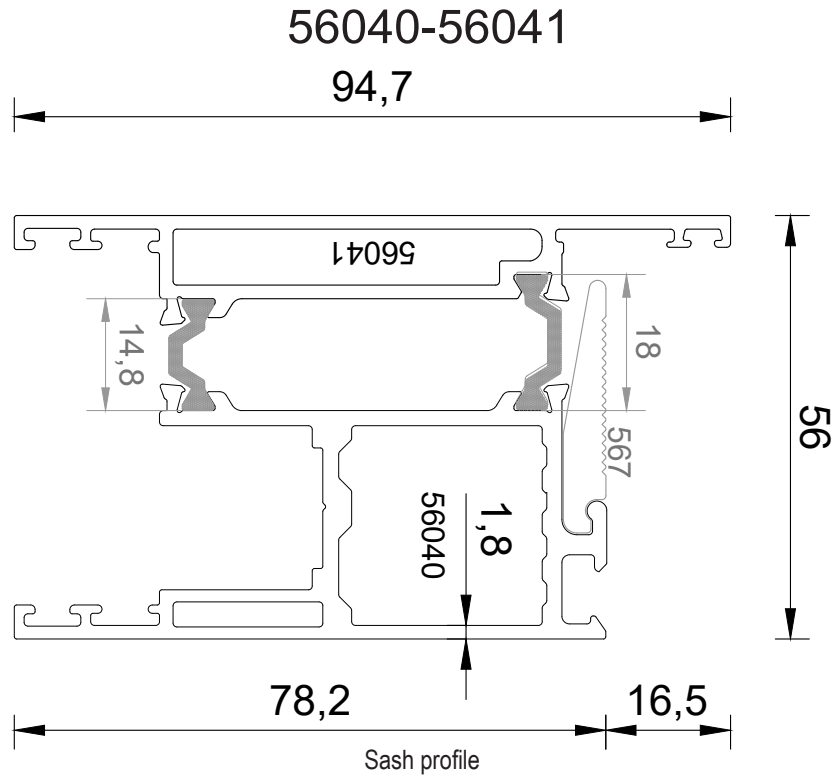
- CS59
- CS68
- CS68F
- CS68H
- CS77
- CS77H
- MASTERLINE8
- SLIMLINE38
- S560
- S560 Mono
- S560 Threshold



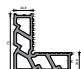

CODE	WEIGHT(kg/m)	Ix cm <sup>4</sup>	Iy cm <sup>4</sup>
6013-38103	1.850	5.55	110.85
56030-56031	2.700	24.07	6.98



profile	corner cleat	shape	cutting size	punch corner	shape	leight
6013-38103	C10.6		19.8 mm	PC B10		19.2 mm
	C10.6		49 mm	PC B10		48.5 mm

CODE	WEIGHT(kg/m)	Ix cm <sup>4</sup>	Iy cm <sup>4</sup>
56040-56041	2.500	49.11	37.43
56030-56031	1.440	7.8	18.16



profile	corner cleat	shape	cutting size
56040-56041	C42.8		6.6 mm 
	C24.8		26.2 mm 

CS59

CS68

CS68F

CS68H

CS77

CS77H

MASTERLINE8

SLIMLINE38

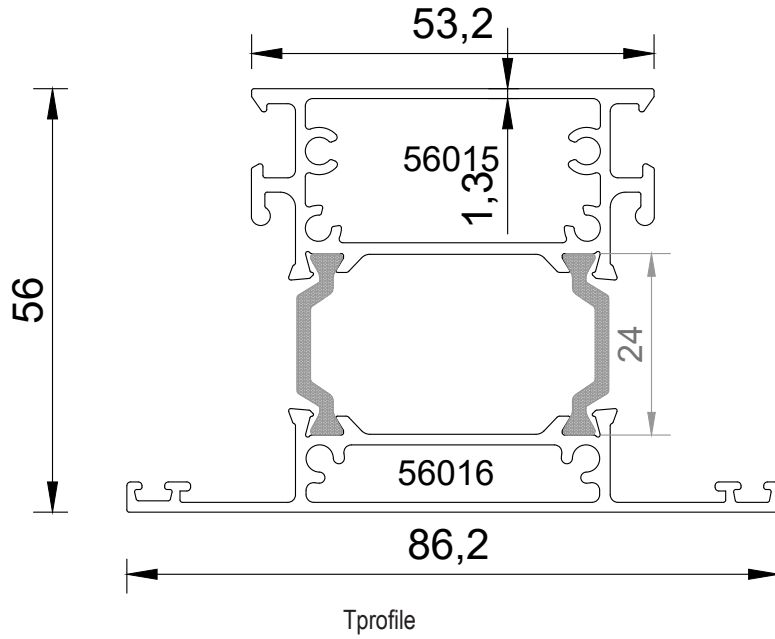
S560

S560 Mono

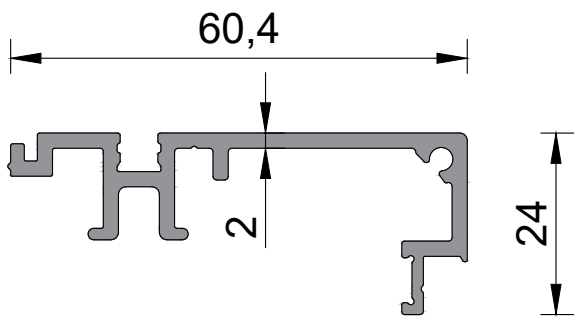
S560 Threshold

CODE	WEIGHT(kg/m)	Ix cm <sup>4</sup>	Iy cm <sup>4</sup>
56015-56016	1.810	24.91	26.74
56044	0.737	-	-
56046	0.099	-	-

**56015-56016**

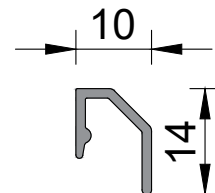


**56044**



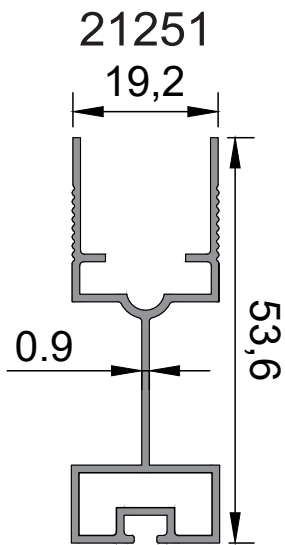
Adaptor for rail short frame

**56046**

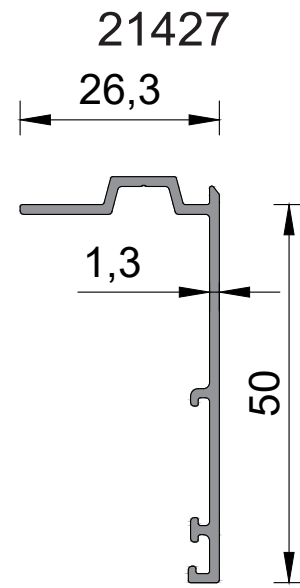


Raindrop profile

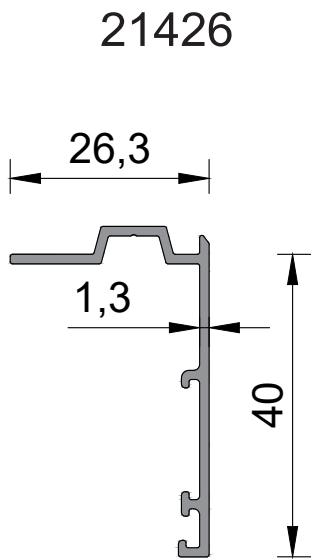
CODE	WEIGHT(kg/m)	Ix cm <sup>4</sup>	Iy cm <sup>4</sup>
21251	0.370	-	-
21427	0.348	-	-
21426	0.305	-	-
21429	0.306	-	-



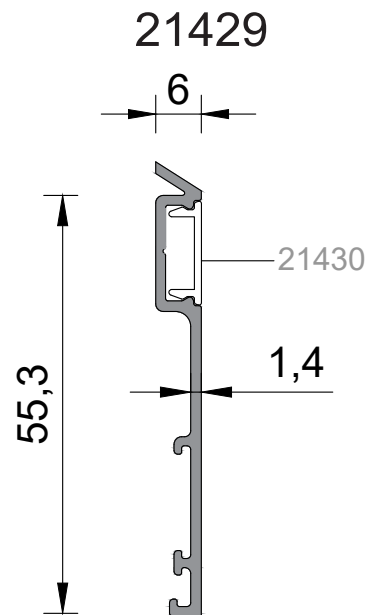
flyscreen sash rail



border profile



border profile

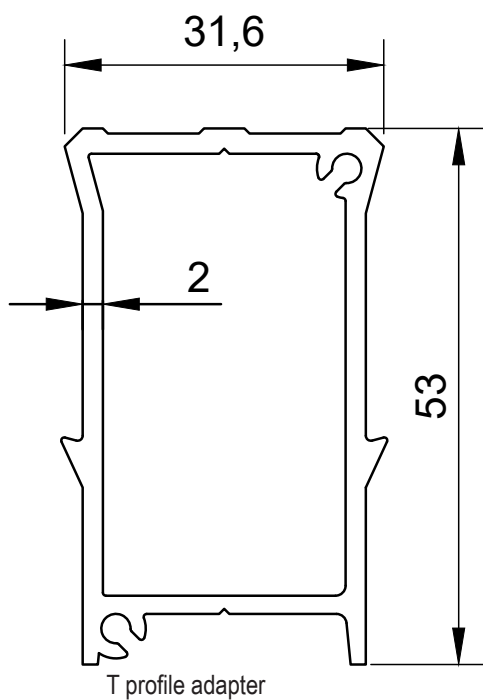


adapter profile

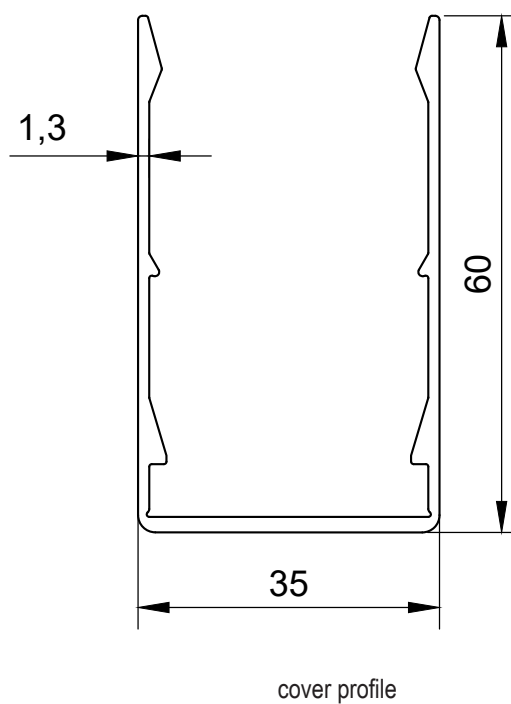
- CS59
- CS68
- CS68F
- CS68H
- CS77
- CS77H
- MASTERLINE8
- SLIMLINE38
- S560
- S560 Mono
- S560 Threshold

CODE	WEIGHT(kg/m)	Ix cm <sup>4</sup>	Iy cm <sup>4</sup>
3819	0.96	10.58	4.64
3820	0.770	9.59	5.64
21436	0.124	-	-
21430	0.060	-	-

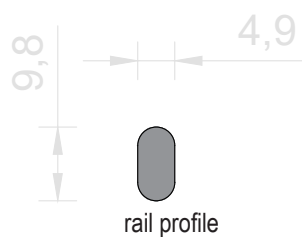
**3819**



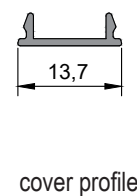
**3820**



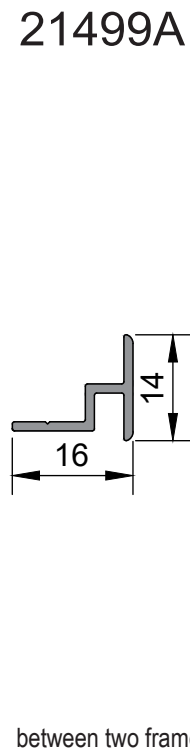
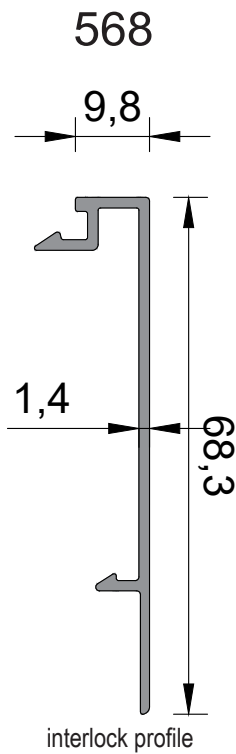
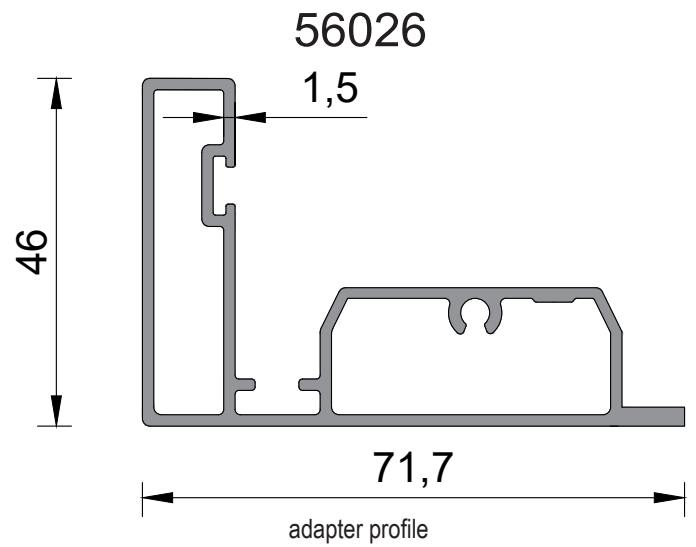
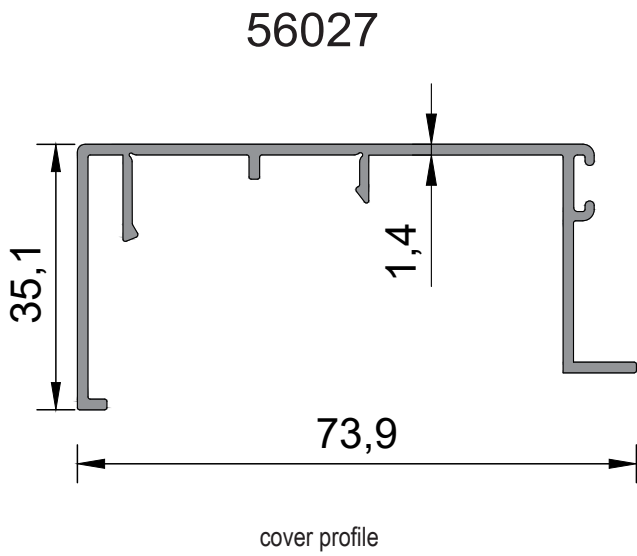
**21436**



**21430**



CODE	WEIGHT(kg/m)	Ix cm <sup>4</sup>	Iy cm <sup>4</sup>
56027	0.663	2.74	15.36
56026	1.137	17.5	6.39
568	0.376	0.22	6.60
21499A	0.113	-	-

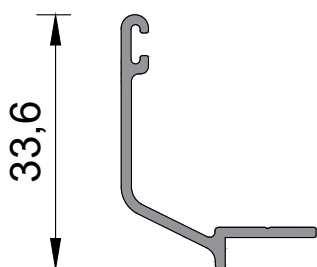


- CS59
- CS68
- CS68F
- CS68H
- CS77
- CS77H
- MASTERLINE8
- SLIMLINE38
- S560
- S560 Mono
- S560 Threshold



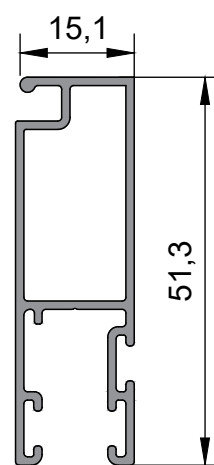
CODE	WEIGHT(kg/m)	Ix cm <sup>4</sup>	Iy cm <sup>4</sup>
21933	0.265	-	-
21411	0.49	-	-
21503	0.477	-	-
21413	0.15	-	-

21933



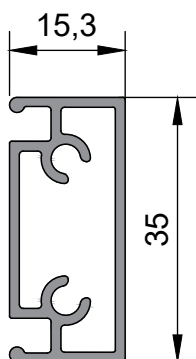
flyscreen sash rail

21411



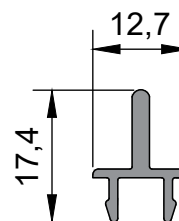
flyscreen sash profile

21503



T for flyscreen sash

21413



adapter profile

CS59

CS68

CS68F

CS68H

CS77

CS77H

MASTERLINE8

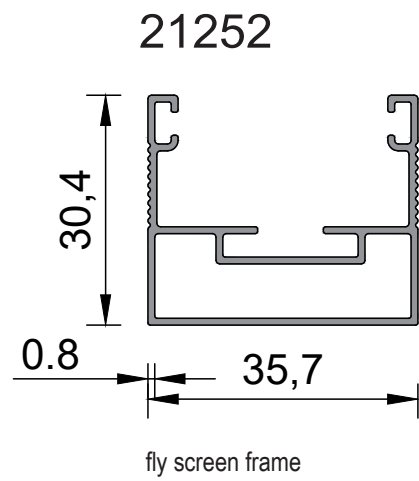
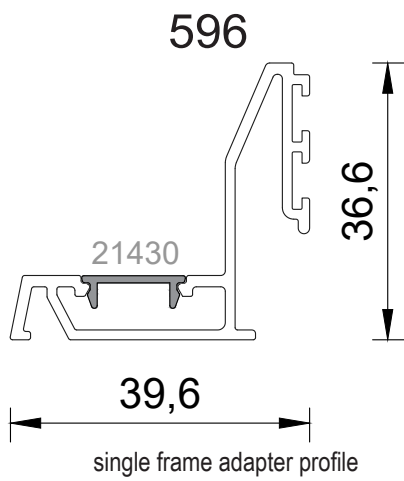
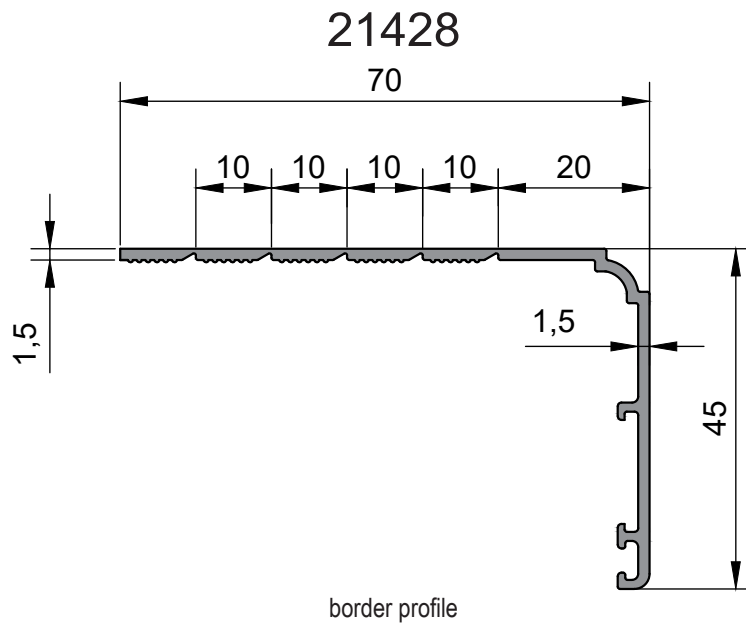
SLIMLINE38

S560

S560 Mono

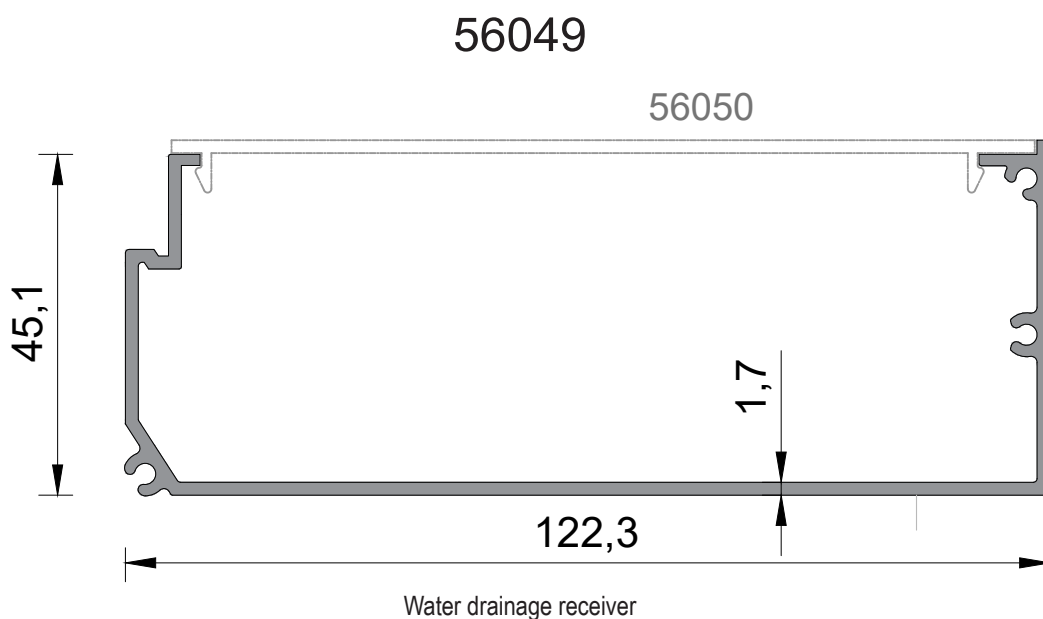
S560 Threshold

CODE	WEIGHT(kg/m)	Ix cm <sup>4</sup>	Iy cm <sup>4</sup>
21428	0.520	-	-
596	0.450	-	-
21252	0.340	-	-

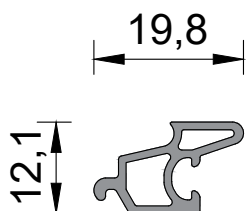


- CS59
- CS68
- CS68F
- CS68H
- CS77
- CS77H
- MASTERLINE8
- SLIMLINE38
- S560
- S560 Mono
- S560 Threshold

CODE	WEIGHT(kg/m)	Ix cm <sup>4</sup>	Iy cm <sup>4</sup>
56049	1.090	-	-
559	0.183	-	-
56028	1.157	-	-

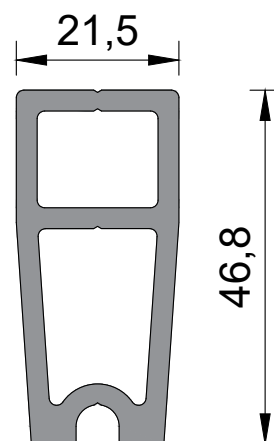


**559**



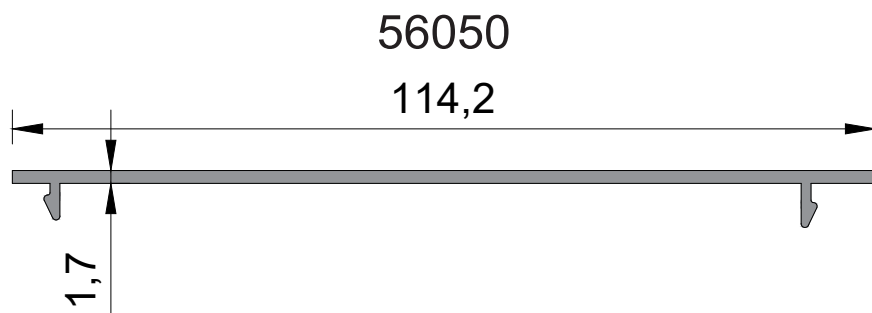
interlock hook for big sash

**56028**

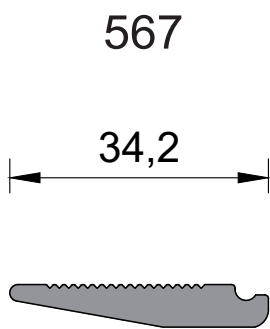


sash fixing profile

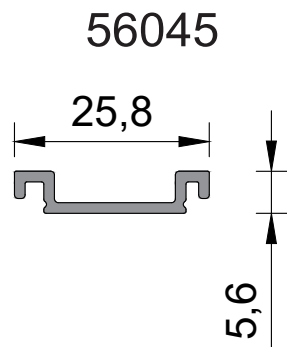
CODE	WEIGHT(kg/m)	Ix cm <sup>4</sup>	Iy cm <sup>4</sup>
56050	0.610	-	-
567	0.400	-	-
56045	0.150	-	-
56048	0.150	-	-



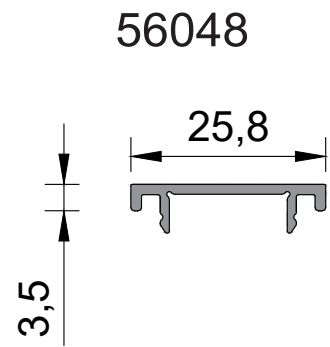
cap for water drainage receiver



glass support profile



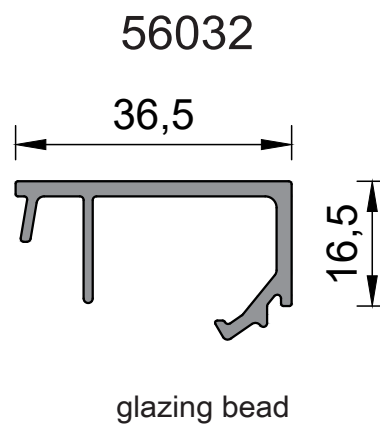
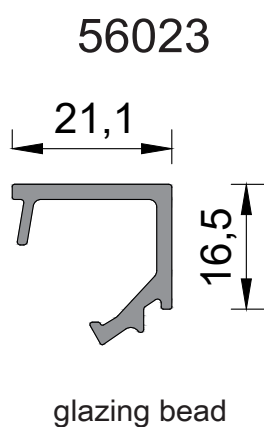
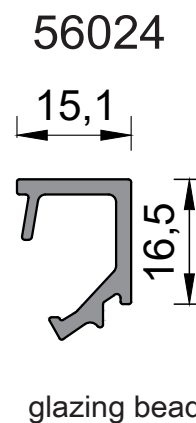
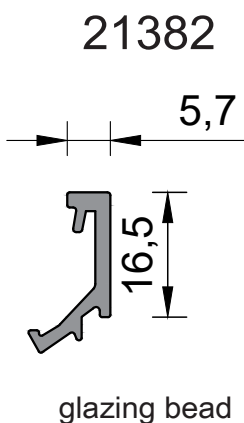
Raindrop profile



cap for inside frame

- CS59
- CS68
- CS68F
- CS68H
- CS77
- CS77H
- MASTERLINE8
- SLIMLINE38
- S560
- S560 Mono
- S560 Threshold

CODE	WEIGHT(kg/m)	Ix cm <sup>4</sup>	Iy cm <sup>4</sup>
21382	0.215	-	-
56024	0.263	-	-
56023	0.298	-	-
56032	0.432	-	-



CS59

CS68

CS68F

CS68H

CS77

CS77H

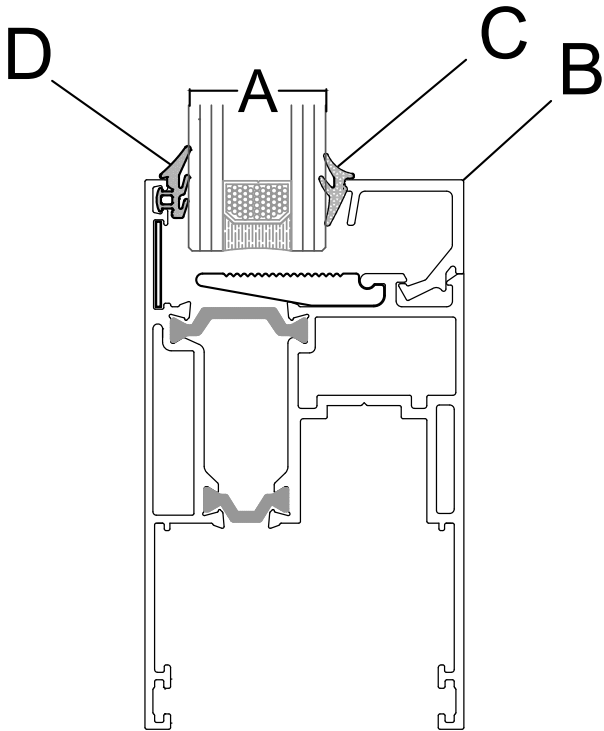
MASTERLINE8

SLIMLINE38

S560

S560 Mono

S560 Threshold



A (mm)	B	C	D
6	1006	56032	mo68
8	1004	56032	mo68
10	1002	56032	mo68
20	1007	56023	mo68
22	1005	56023	mo68
24	1003	56023	mo68
26	1007	56024	mo68
28	1005	56024	mo68
30	1003	56024	mo68
32	1002	56024	mo68
36	1007	21382	mo68
38	1005	21382	mo68
40	1003	21382	mo68

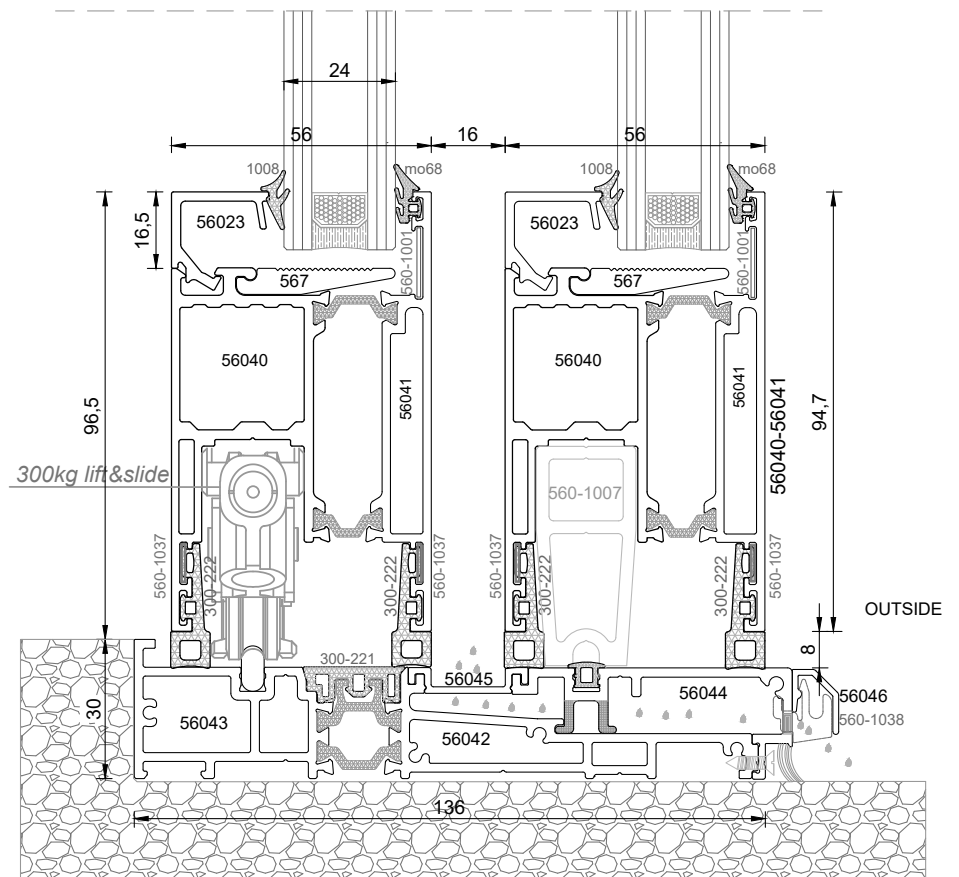
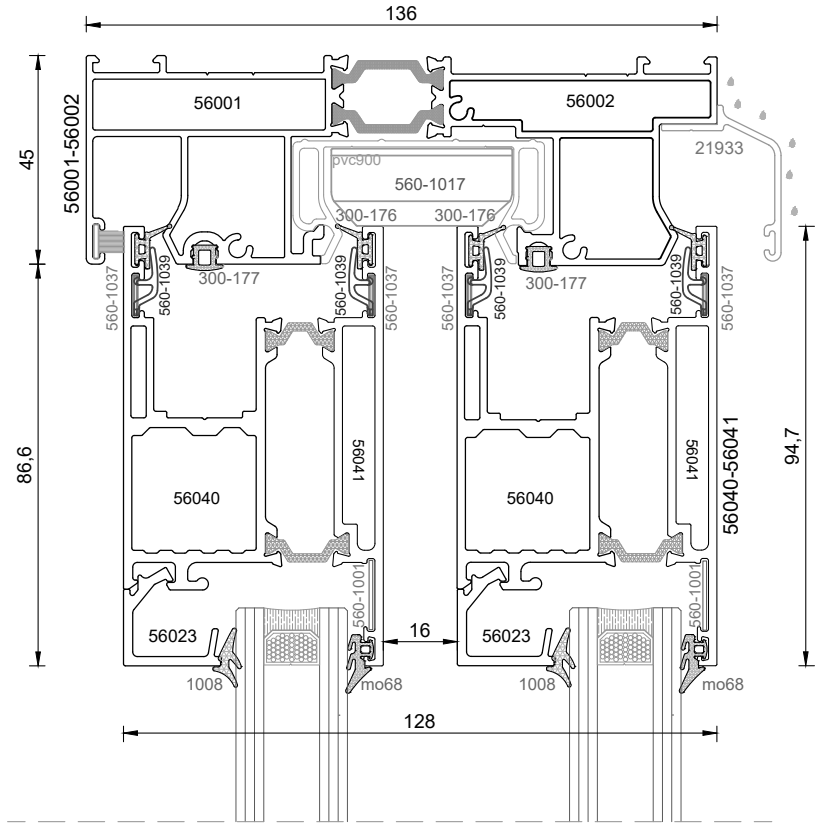
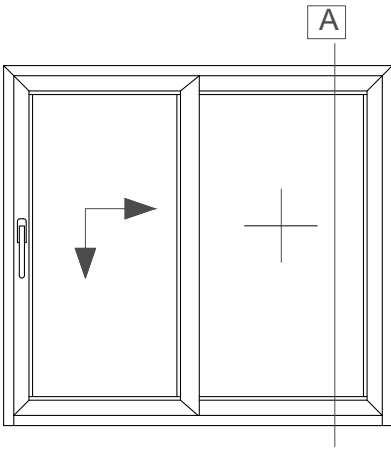
- CS59
- CS68
- CS68F
- CS68H
- CS77
- CS77H
- MASTERLINE8
- SLIMLINE38
- S560
- S560 Mono
- S560 Threshold

# SECTIONS

## S560 TRESHOLD - LIFT & SLIDING INSULATED SYSTEM



- CS59
- CS68
- CS68F
- CS68H
- CS77
- CS77H
- MASTERLINE8
- SLIMLINE38
- S560
- S560 Mono
- S560 Threshold



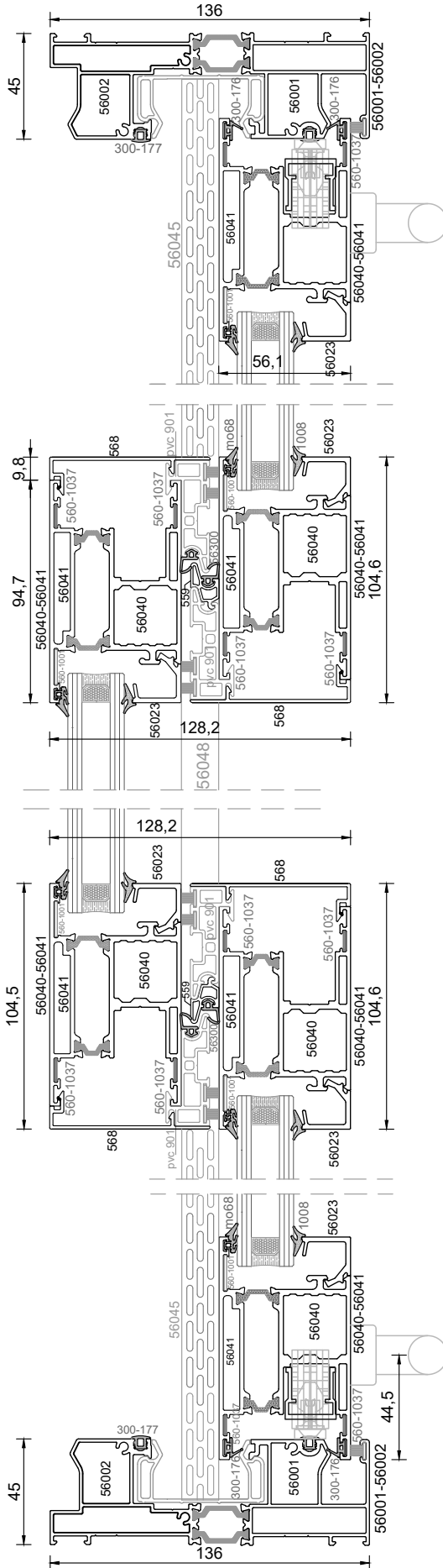
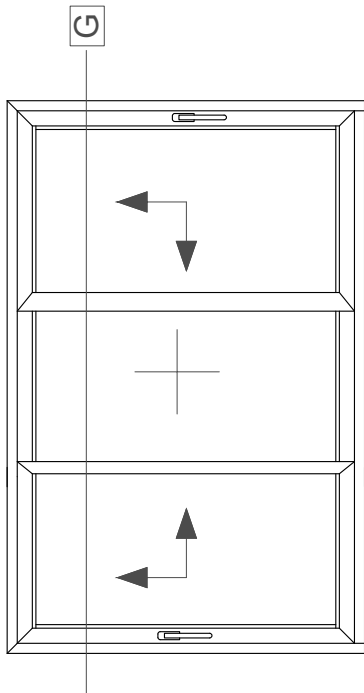








- CS59
- CS68
- CS68F
- CS68H
- CS77
- CS77H
- MASTERLINE8
- SLIMLINE38
- S560
- S560 Mono
- S560 Threshold















# SECTIONS

## S560 TRESHOLD - LIFT & SLIDING INSULATED SYSTEM



CS59

CS68

CS68F

CS68H

CS77

CS77H

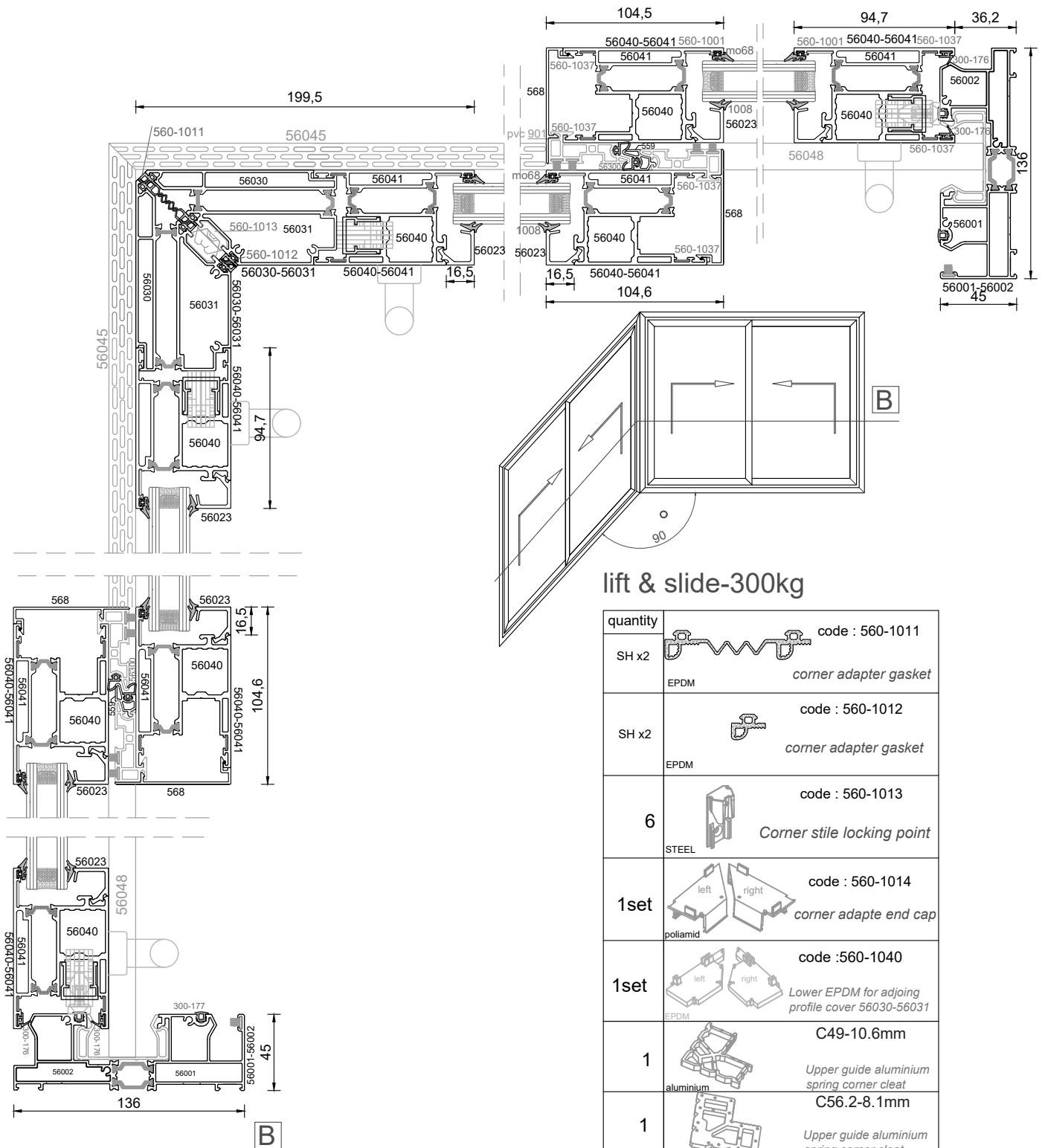
MASTERLINE8

SLIMLINE38

S560

S560 Mono

S560 Threshold



lift & slide-300kg

quantity	image	code	description
SH x2		560-1011	corner adapter gasket
EPDM			
SH x2		560-1012	corner adapter gasket
EPDM			
6		560-1013	Corner stile locking point
STEEL			
1set		560-1014	corner adapte end cap
poliamid			
1set		560-1040	Lower EPDM for adjoining profile cover 56030-56031
EPDM			
1		C49-10.6mm	Upper guide aluminium spring corner cleat
aluminium			
1		C56.2-8.1mm	Upper guide aluminium spring corner cleat
aluminium			
2		C20.4-10.9mm	Bottom guide aluminium spring corner cleat - in
aluminium			



# SECTIONS

## S560 TRESHOLD - LIFT & SLIDING INSULATED SYSTEM



CS59

CS68

CS68F

CS68H

CS77

CS77H

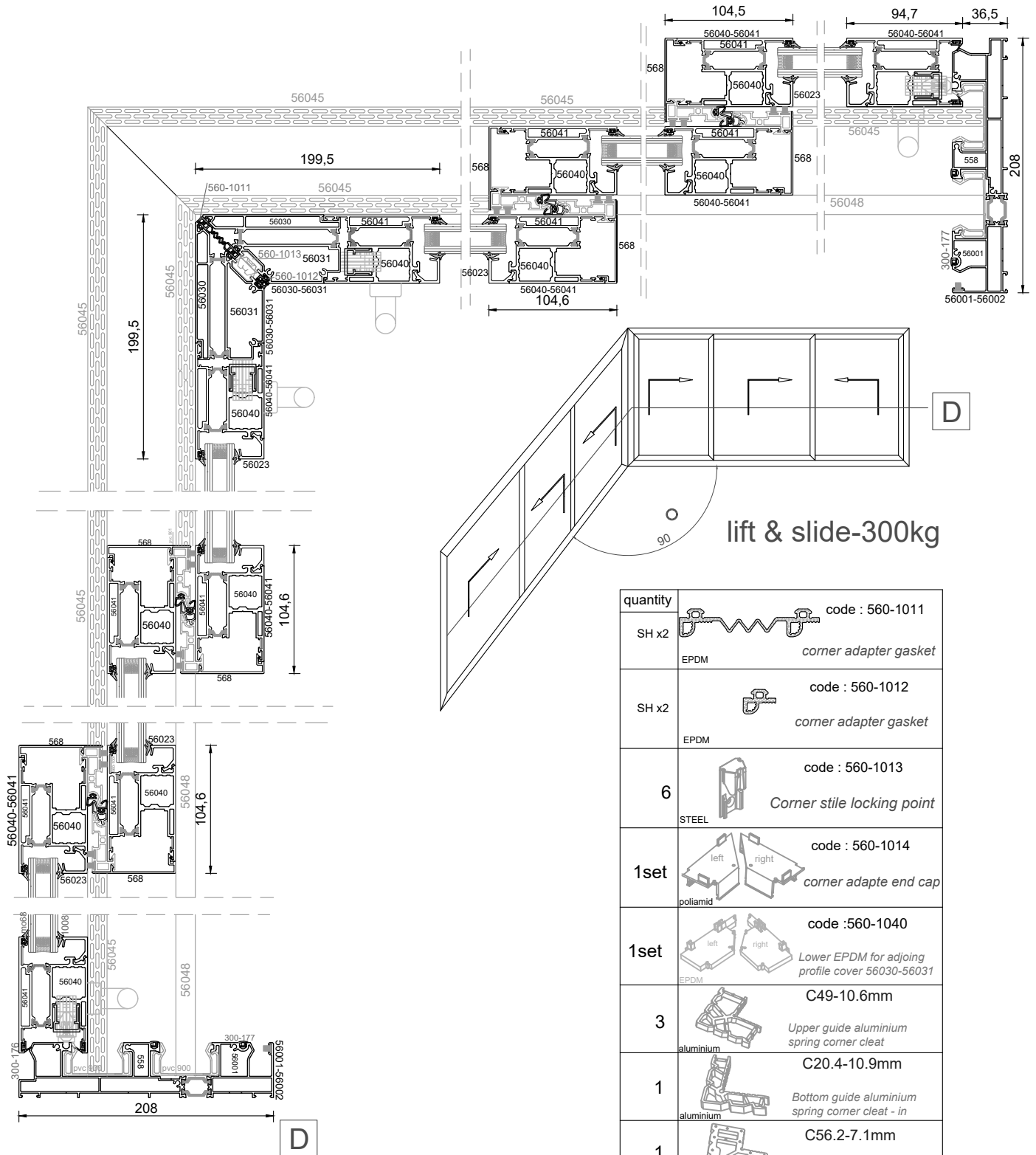
MASTERLINE8

SLIMLINE38

S560

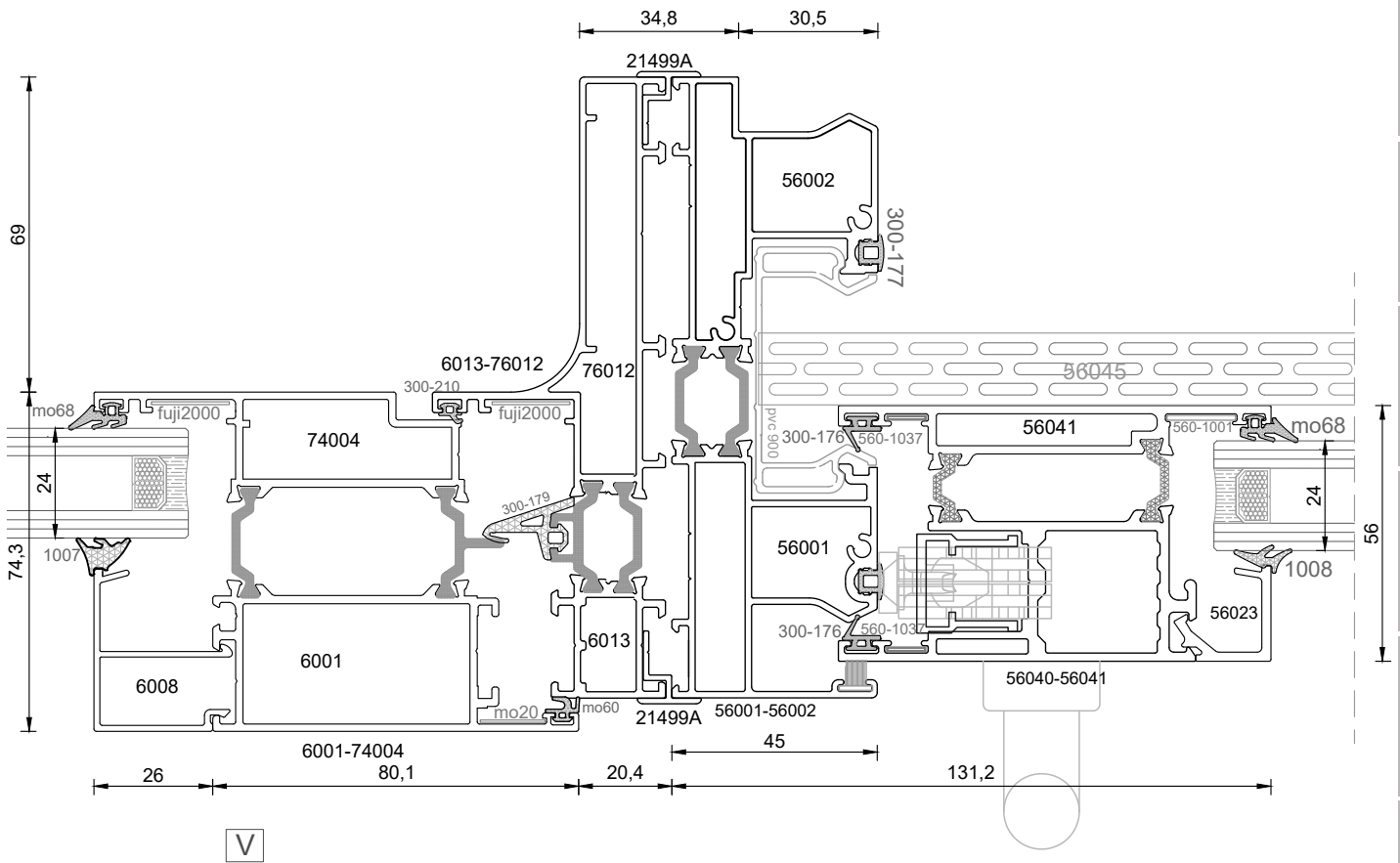
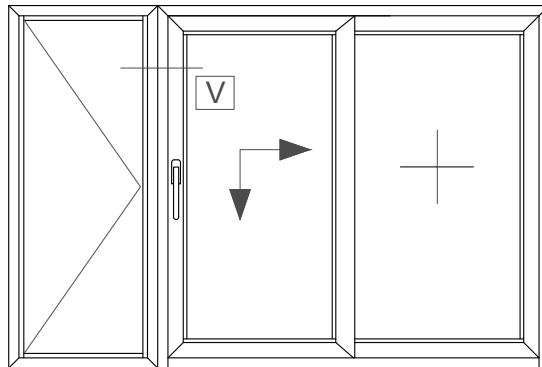
S560 Mono

S560 Threshold



quantity	code	
SH x2	code : 560-1011	
EPDM	corner adapter gasket	
SH x2	code : 560-1012	
EPDM	corner adapter gasket	
6	code : 560-1013	
STEEL	Corner stile locking point	
1set	code : 560-1014	
poliamid	corner adapte end cap	
1set	code : 560-1040	
EPDM	Lower EPDM for adjoining profile cover 56030-56031	
3	C49-10.6mm	
aluminium	Upper guide aluminium spring corner cleat	
1	C20.4-10.9mm	
aluminium	Bottom guide aluminium spring corner cleat - in	
1	C56.2-7.1mm	
aluminium	Bottom guide aluminium spring corner cleat - in	
1	C31.5-7.1mm	
aluminium	Bottom guide aluminium spring corner cleat - in	

- CS59
- CS68
- CS68F
- CS68H
- CS77
- CS77H
- MASTERLINE8
- SLIMLINE38
- S560
- S560 Mono
- S560 Threshold

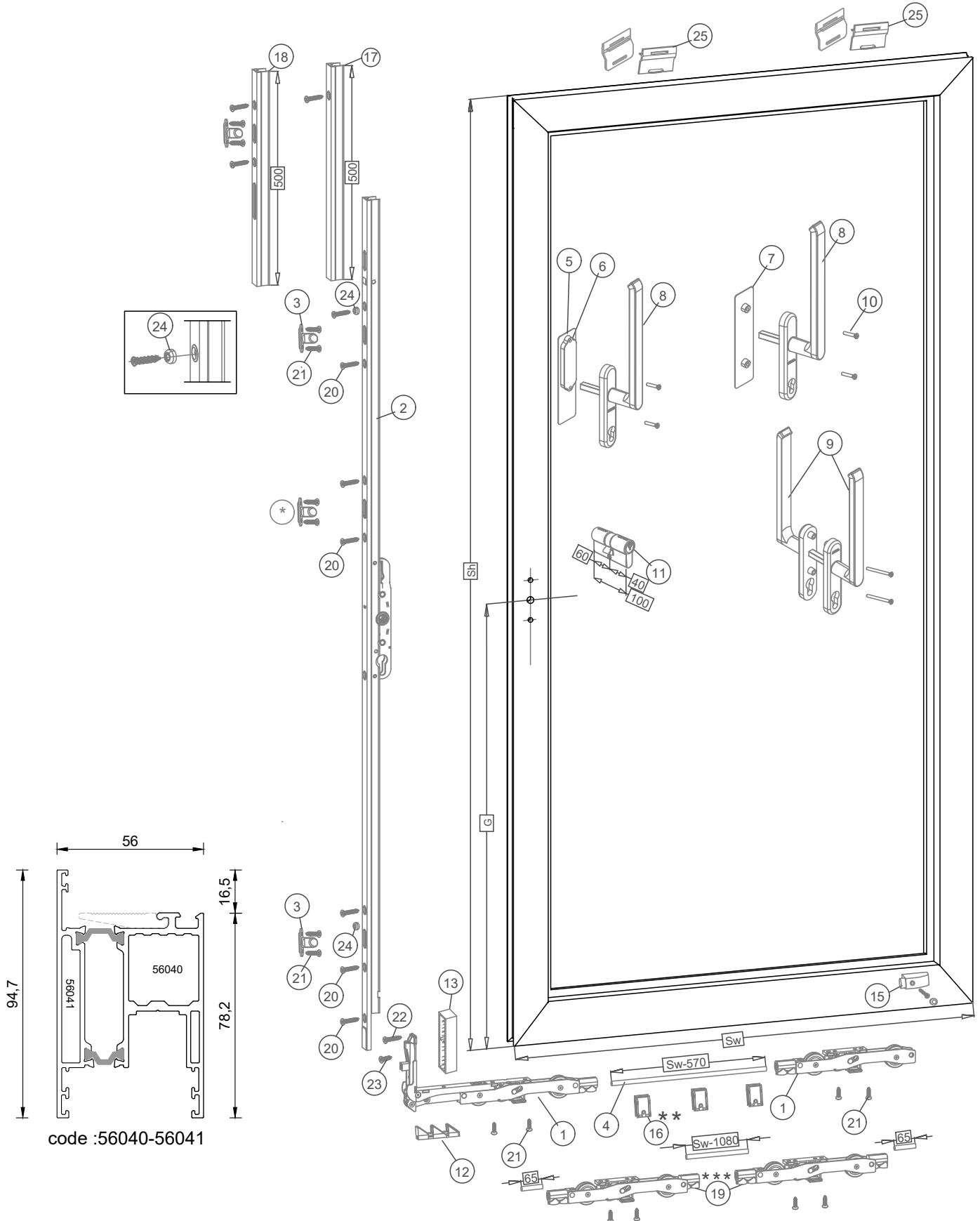


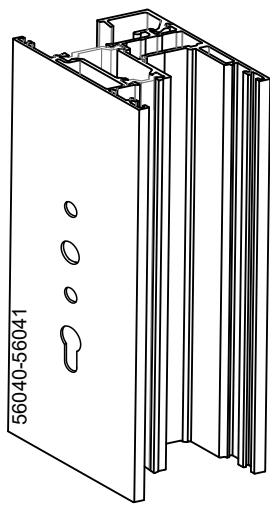
# SECTIONS

## S560 TRESHOLD - LIFT & SLIDING INSULATED SYSTEM

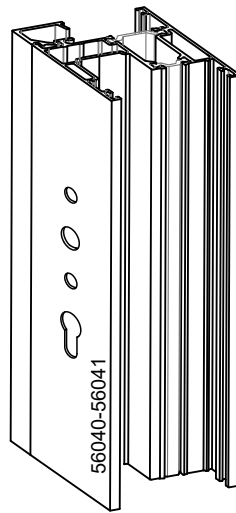


- CS59
- CS68
- CS68F
- CS68H
- CS77
- CS77H
- MASTERLINE8
- SLIMLINE38
- S560
- S560 Mono
- S560 Threshold

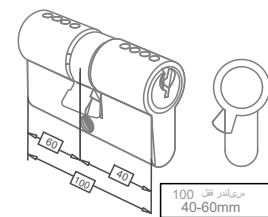
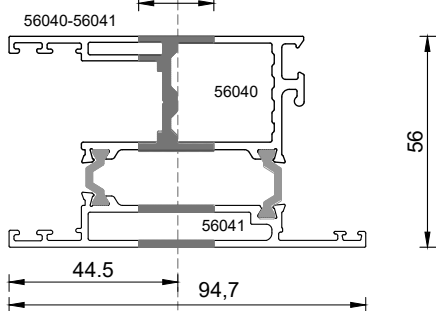
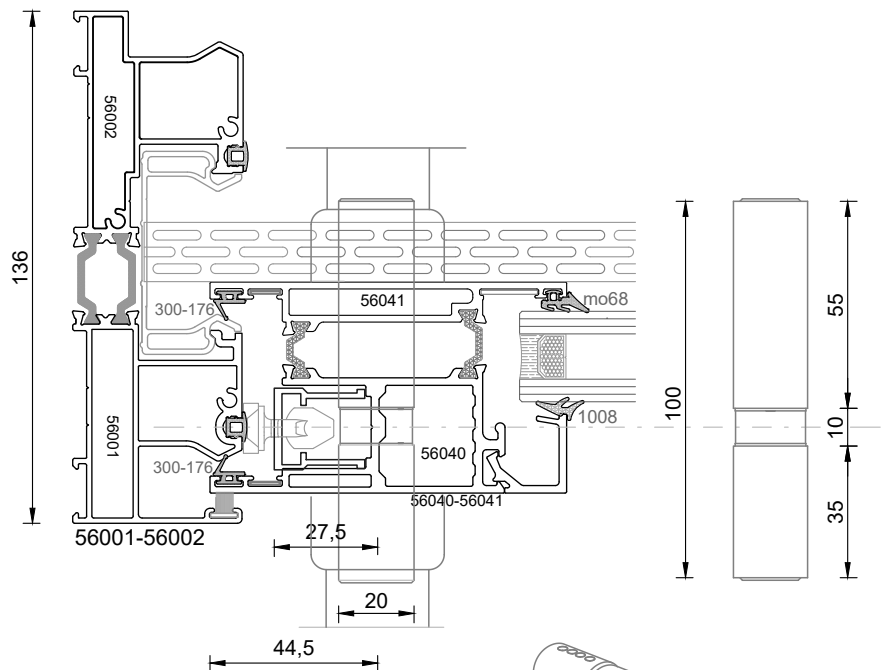
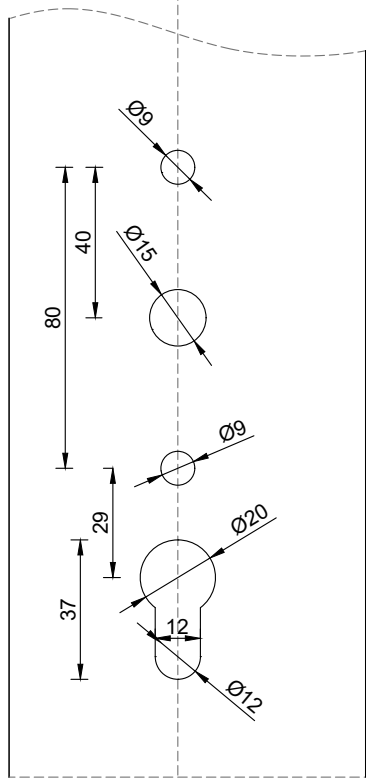
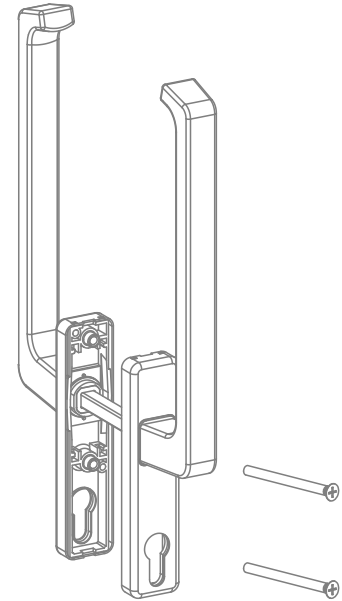




out



in



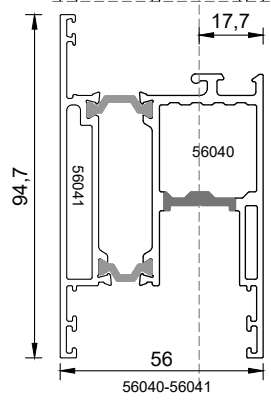
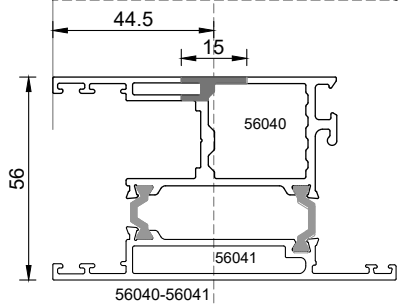
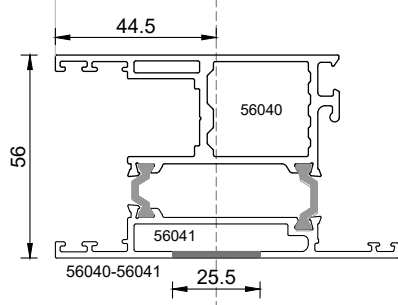
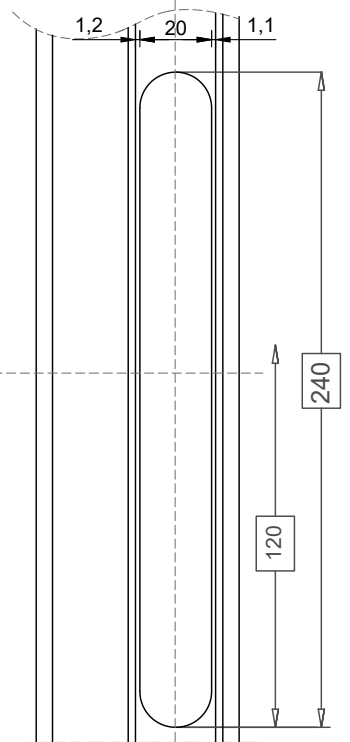
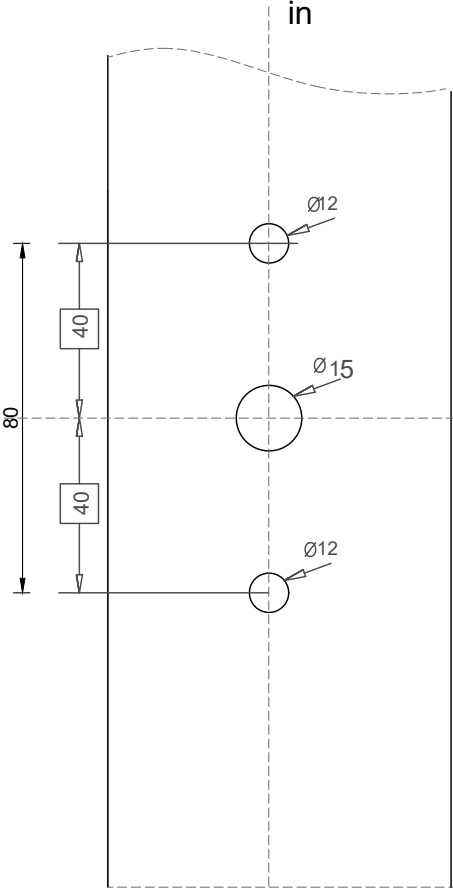
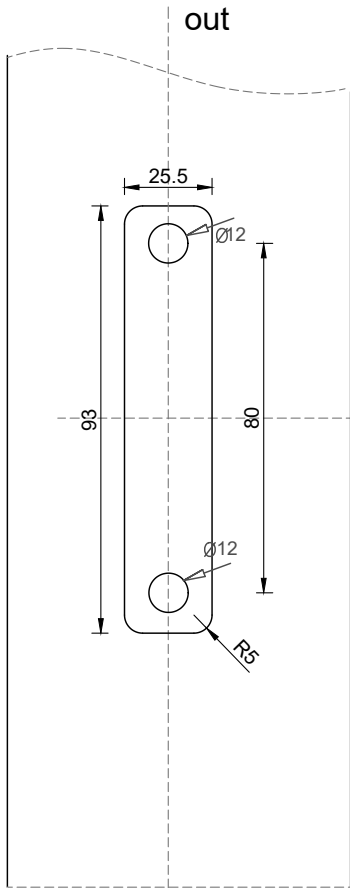
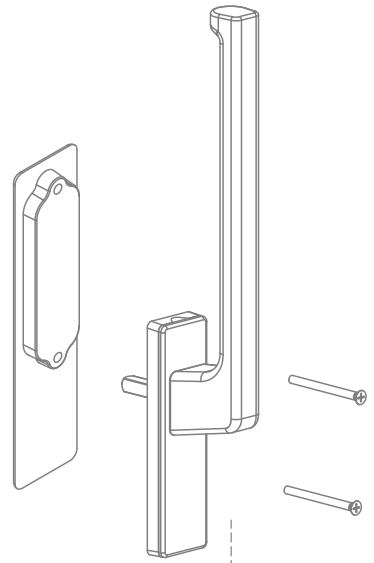
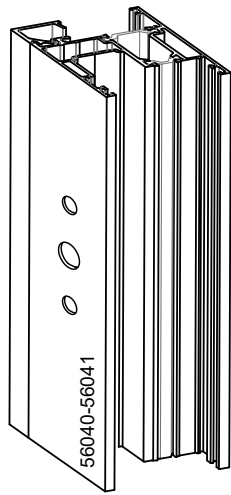
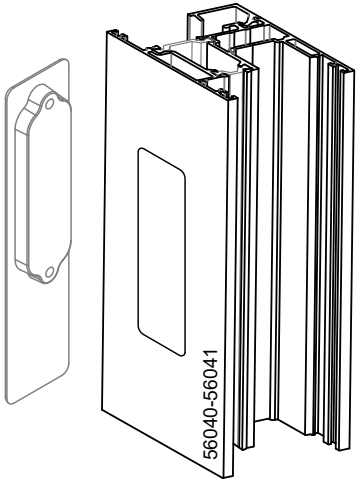
- CS59
- CS68
- CS68F
- CS68H
- CS77
- CS77H
- MASTERLINE8
- SLIMLINE38
- S560
- S560 Mono
- S560 Threshold

# SECTIONS

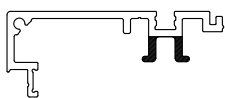
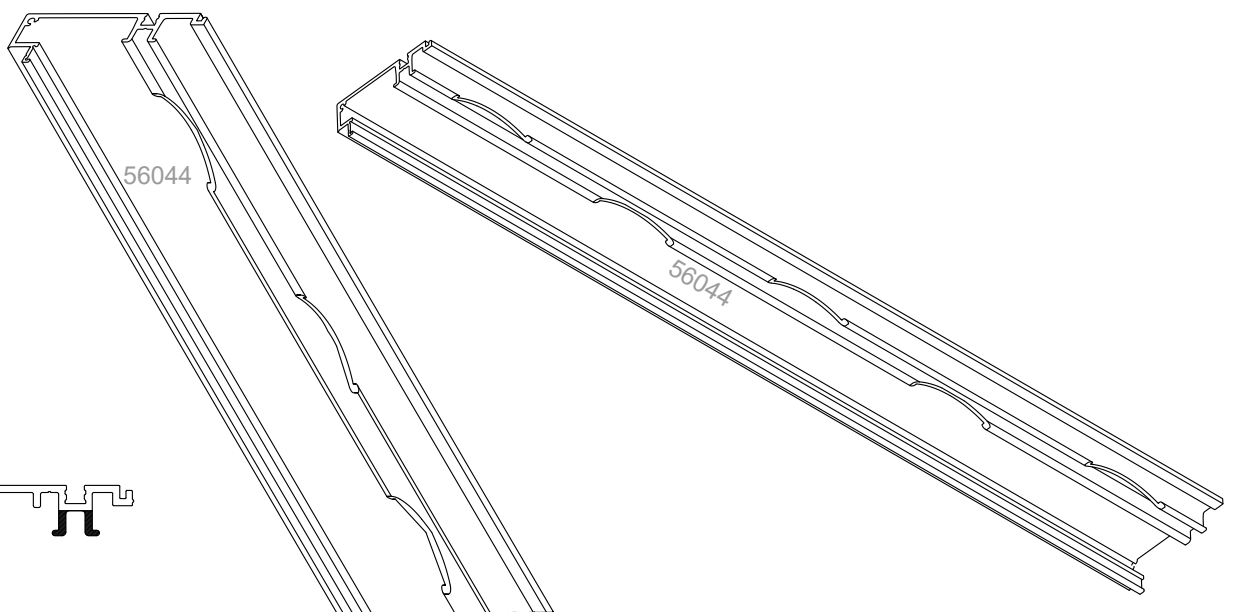
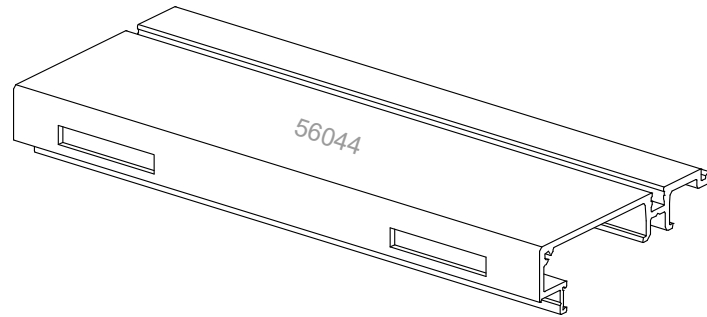
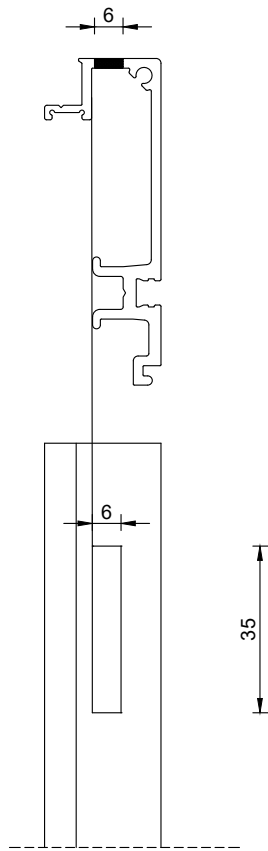
## S560 TRESHOLD - LIFT & SLIDING INSULATED SYSTEM



- CS59
- CS68
- CS68F
- CS68H
- CS77
- CS77H
- MASTERLINE8
- SLIMLINE38
- S560
- S560 Mono
- S560 Threshold



\*



code :56044

*Adaptor for rail short frame*

- CS59
- CS68
- CS68F
- CS68H
- CS77
- CS77H
- MASTERLINE8
- SLIMLINE38
- S560
- S560 Mono
- S560 Threshold



CS59

CS68

CS68F

CS68H

CS77

CS77H

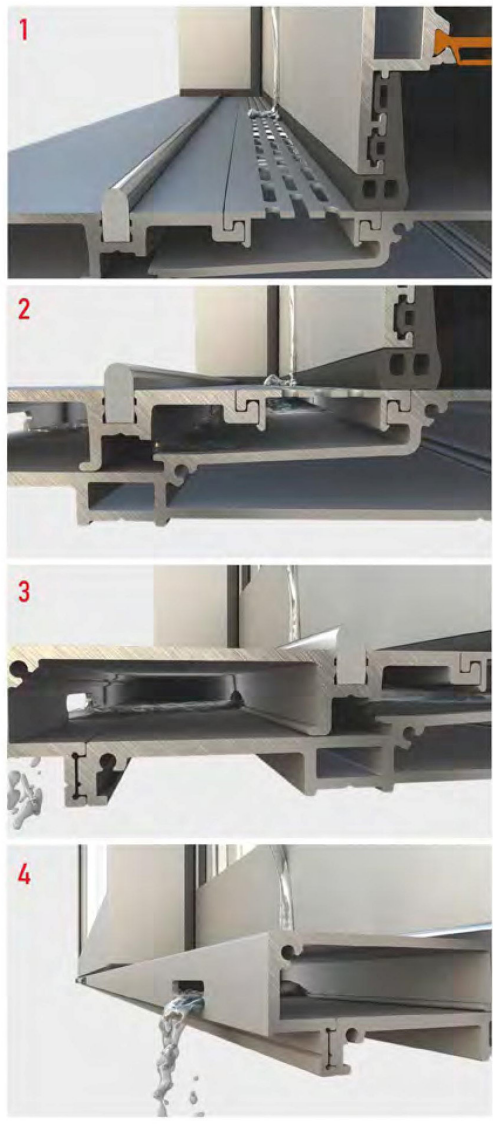
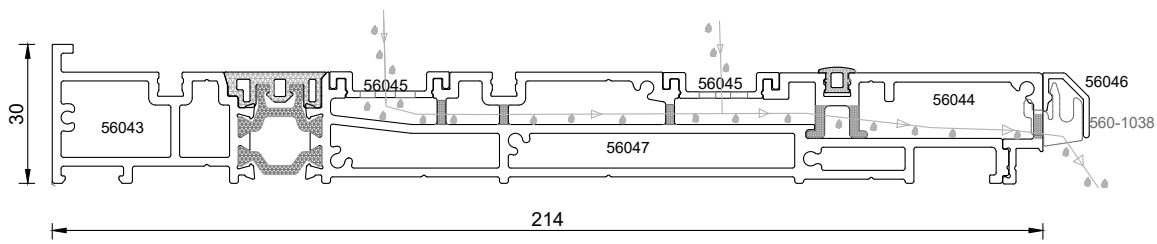
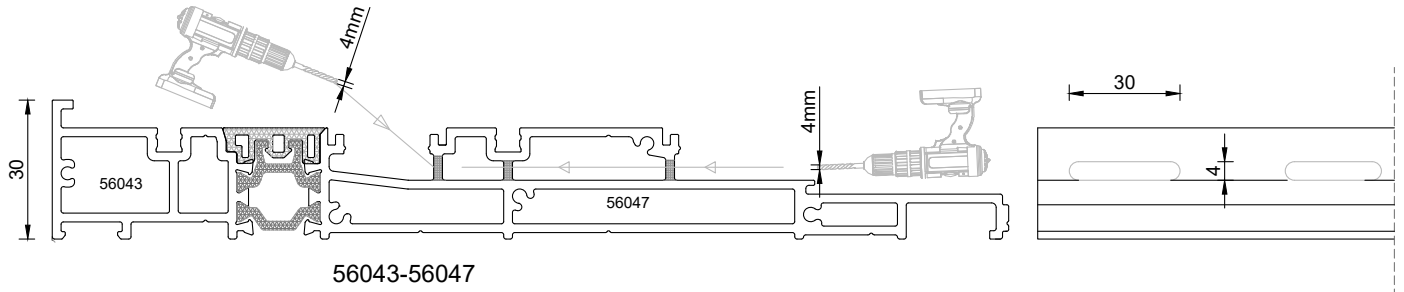
MASTERLINE8

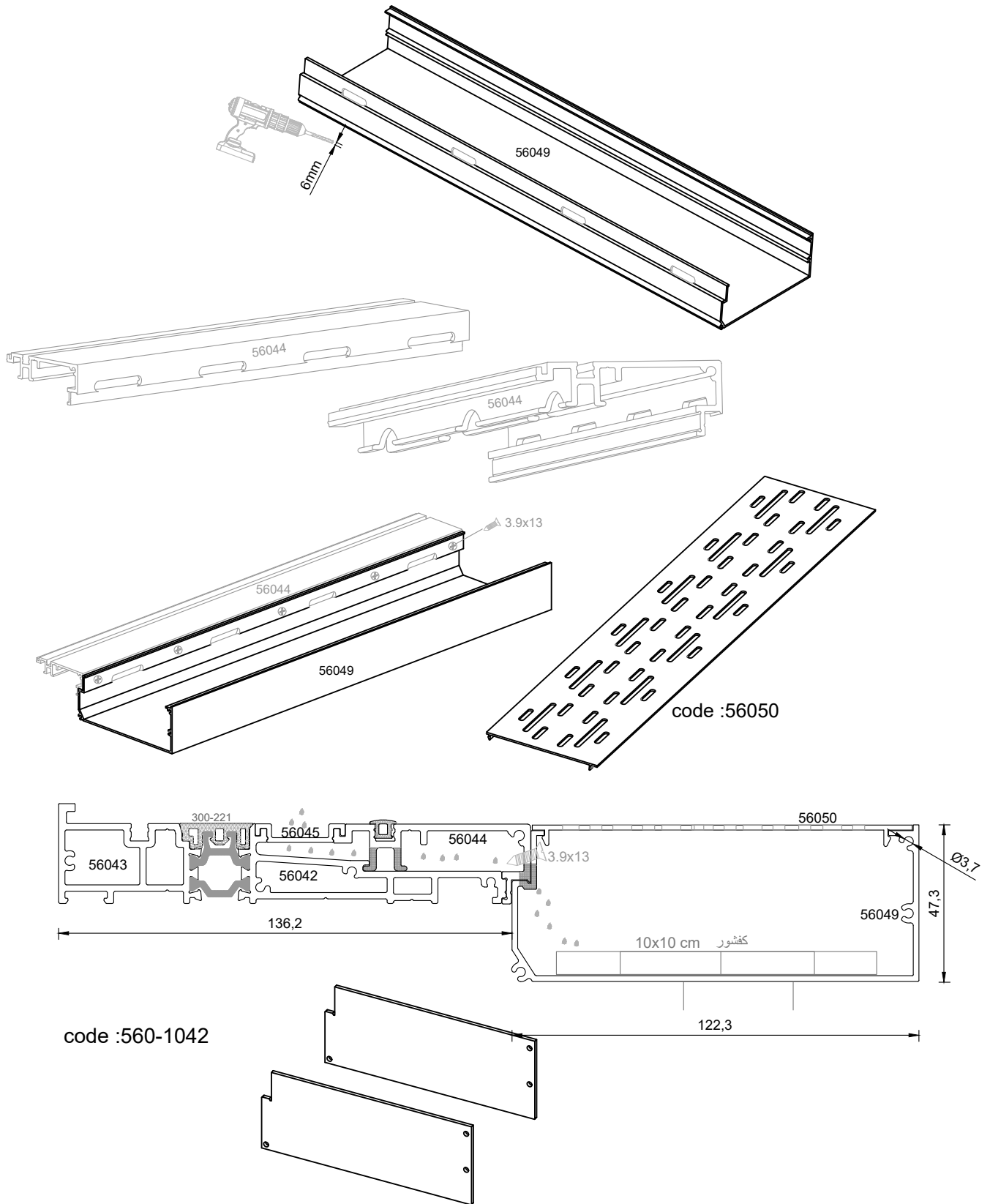
SLIMLINE38

S560

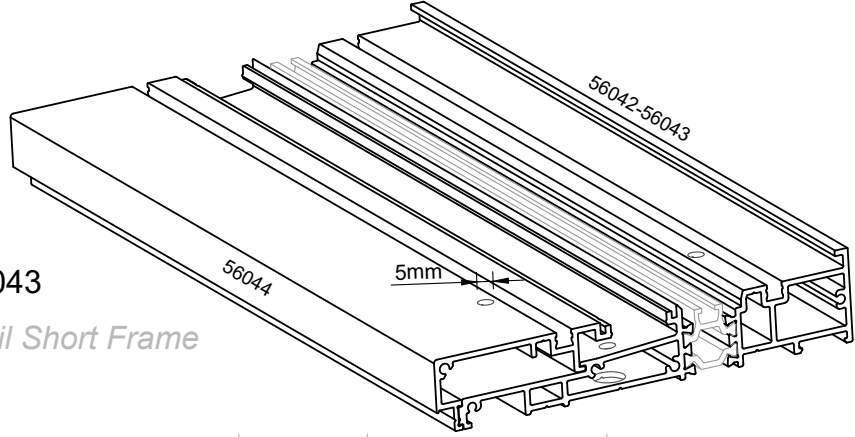
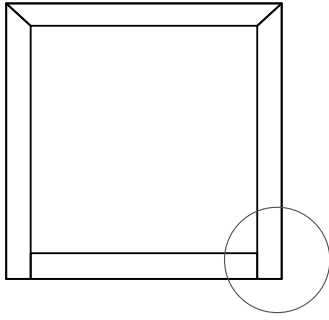
S560 Mono

S560 Threshold

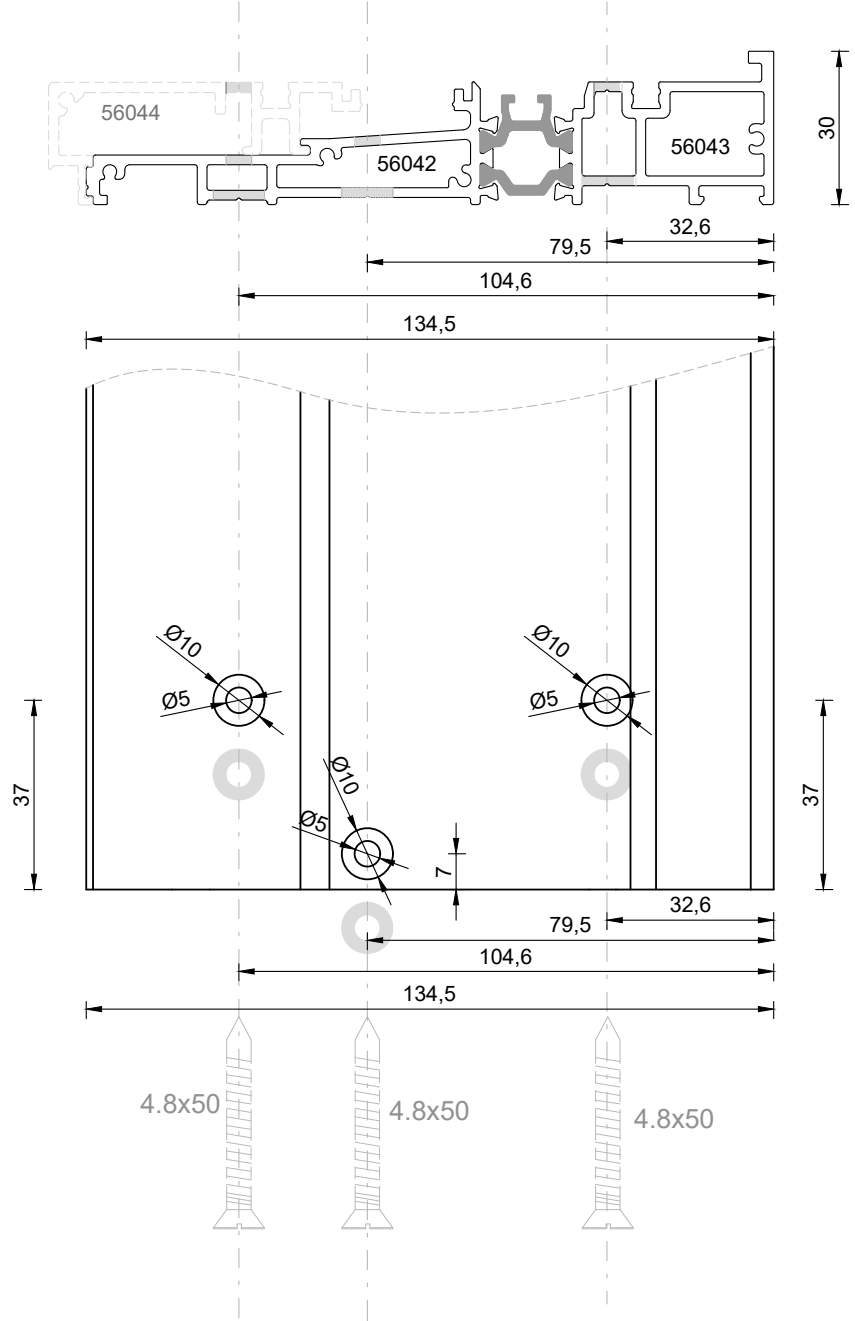




CS59  
CS68  
CS68F  
CS68H  
CS77  
CS77H  
MASTERLINE8  
SLIMLINE38  
S560  
S560 Mono  
S560 Threshold



56042-56043  
*Double Rail Short Frame*



CS59

CS68

CS68F

CS68H

CS77

CS77H

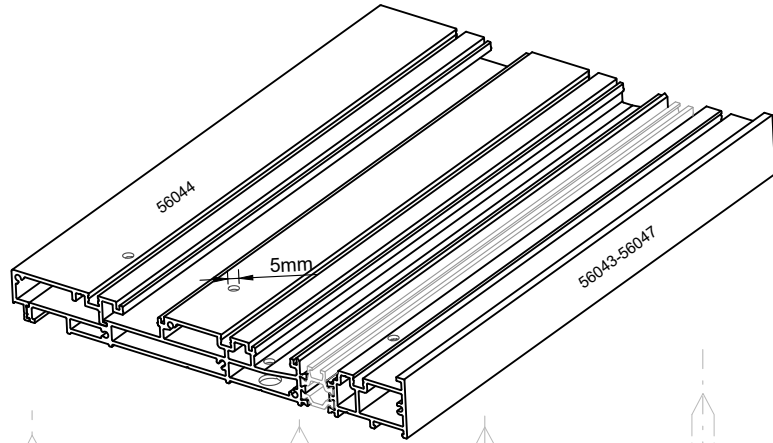
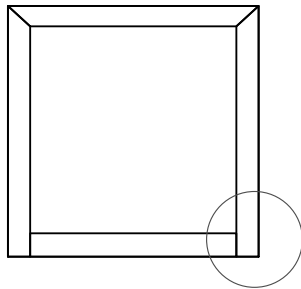
MASTERLINE8

SLIMLINE38

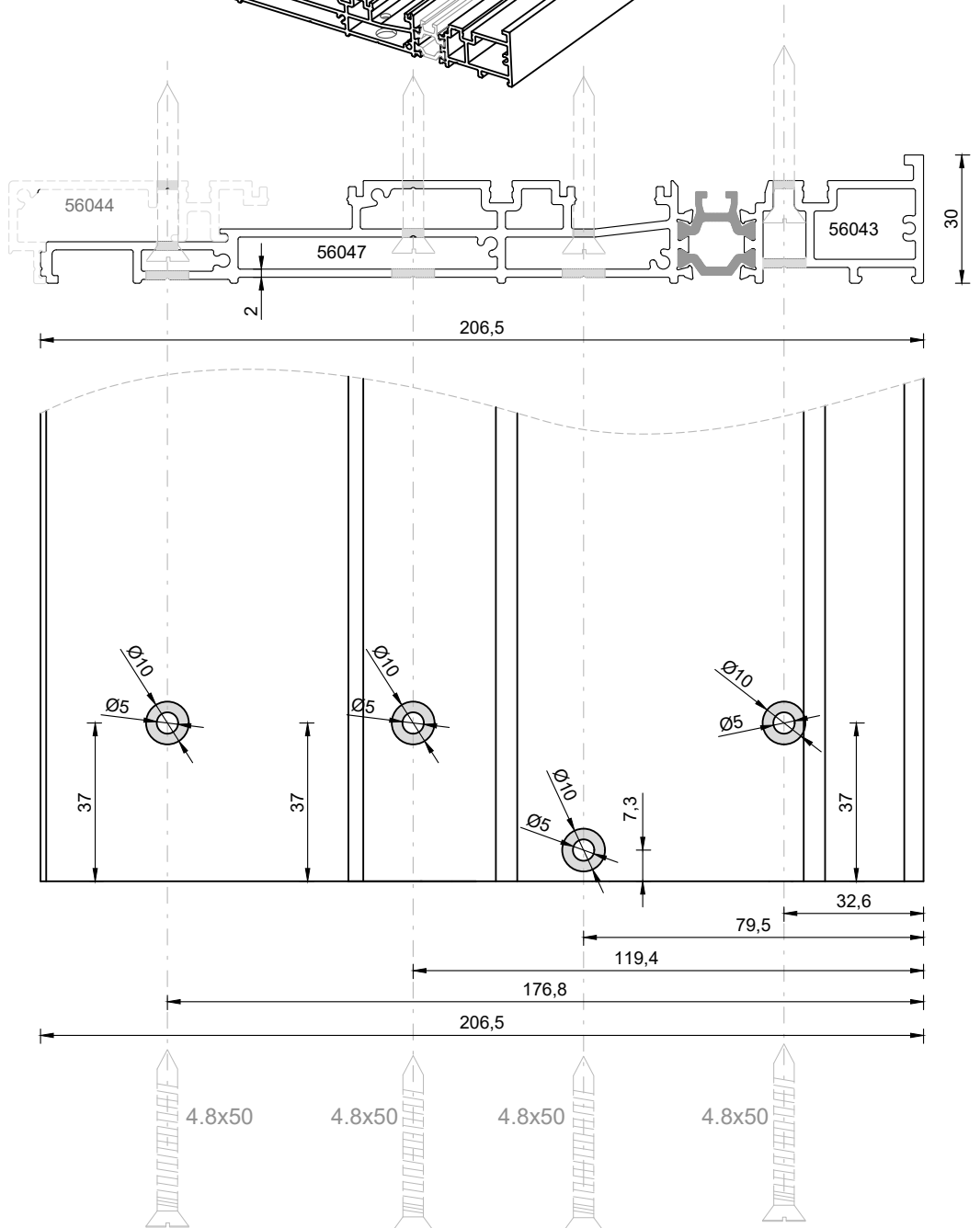
S560

S560 Mono

S560 Threshold



code : 56043-56047  
Short Triple Rail Guide



- CS59
- CS68
- CS68F
- CS68H
- CS77
- CS77H
- MASTERLINE8
- SLIMLINE38
- S560
- S560 Mono
- S560 Threshold

CS59

CS68

CS68F

CS68H

CS77

CS77H

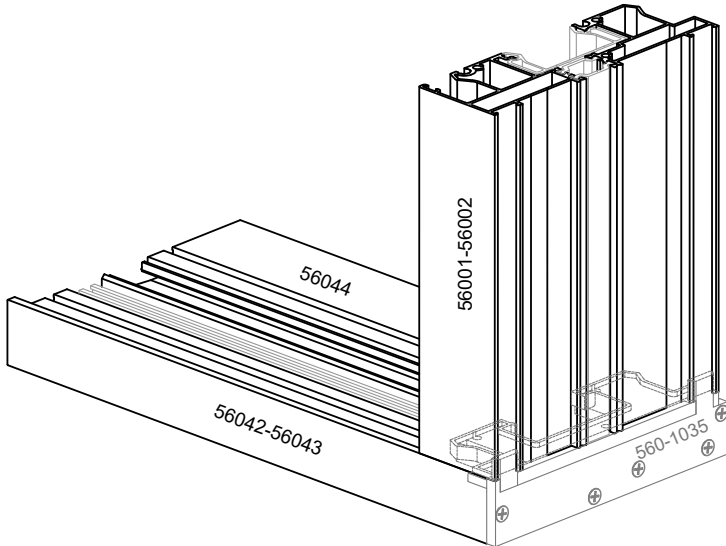
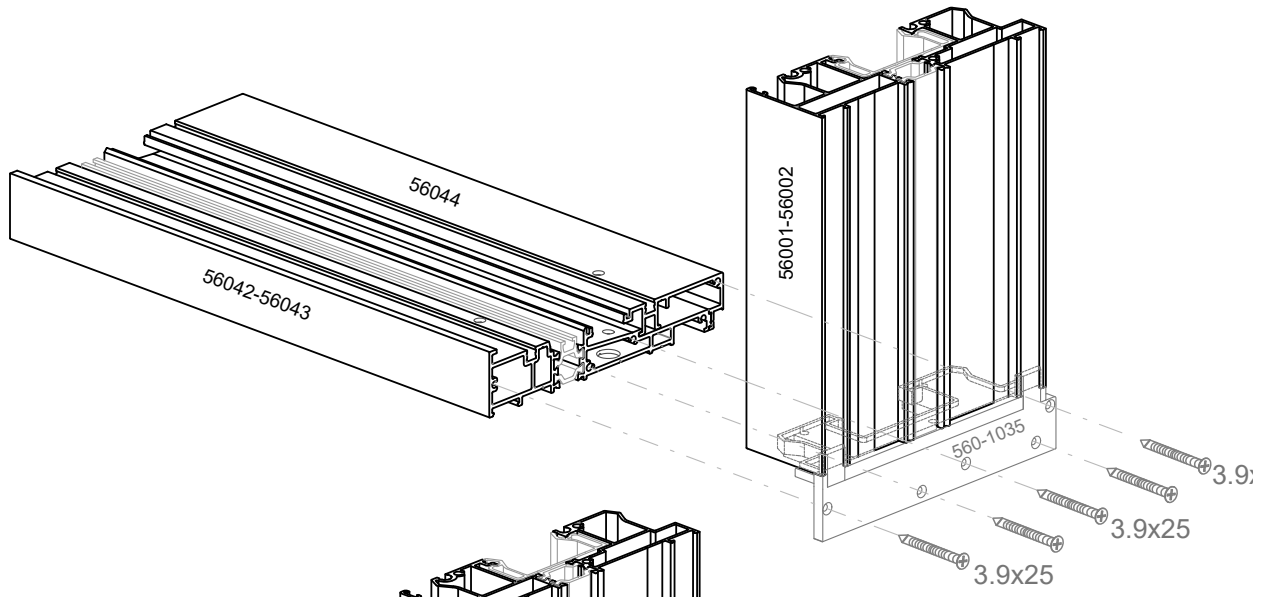
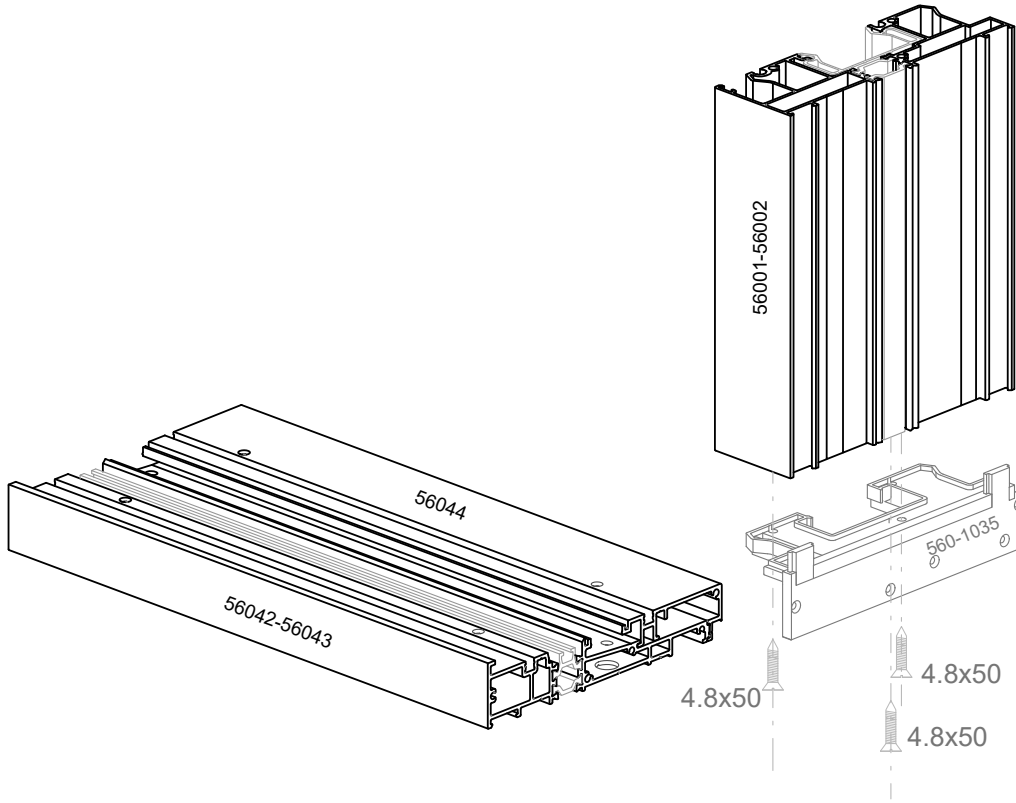
MASTERLINE8

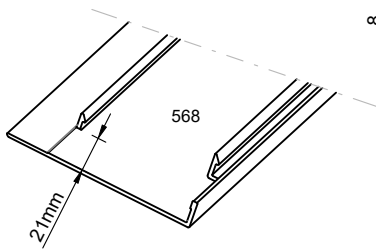
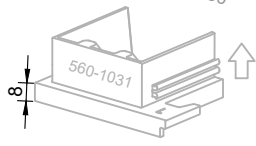
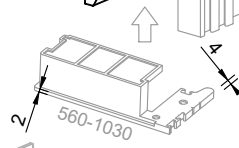
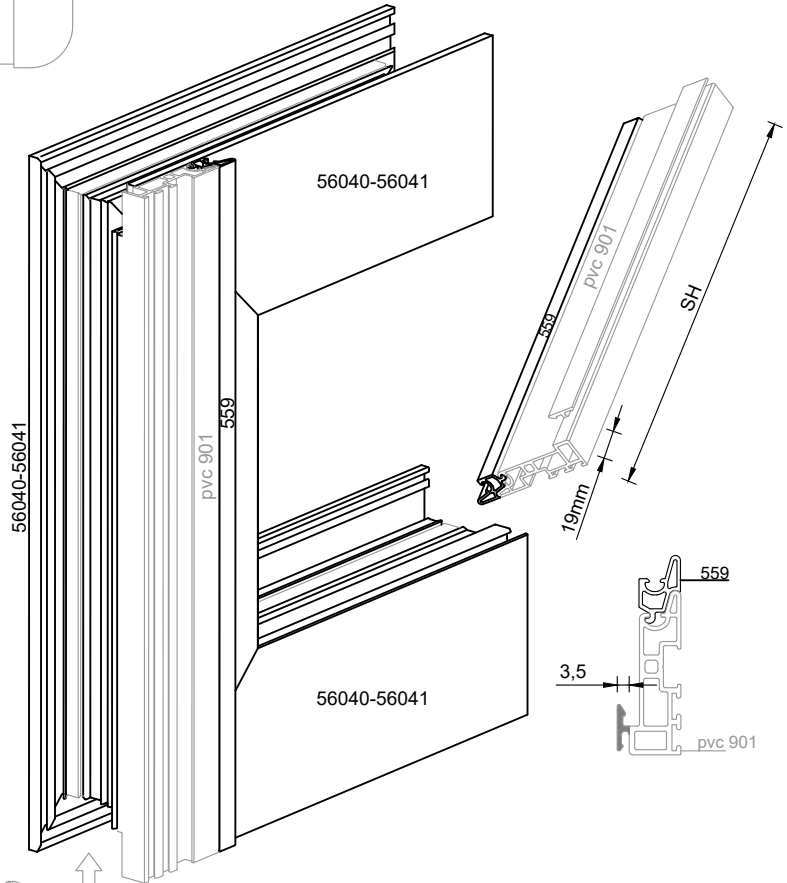
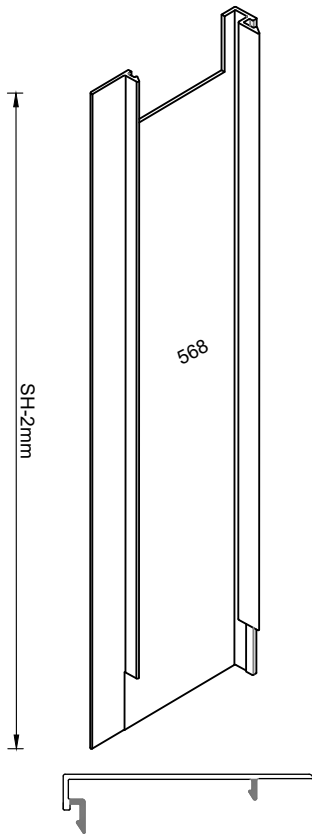
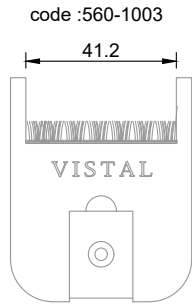
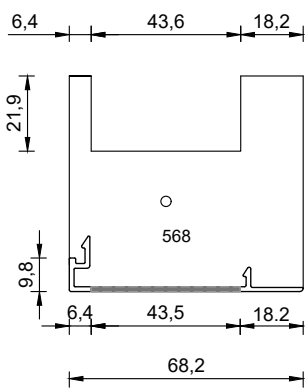
SLIMLINE38

S560

S560 Mono

S560 Threshold





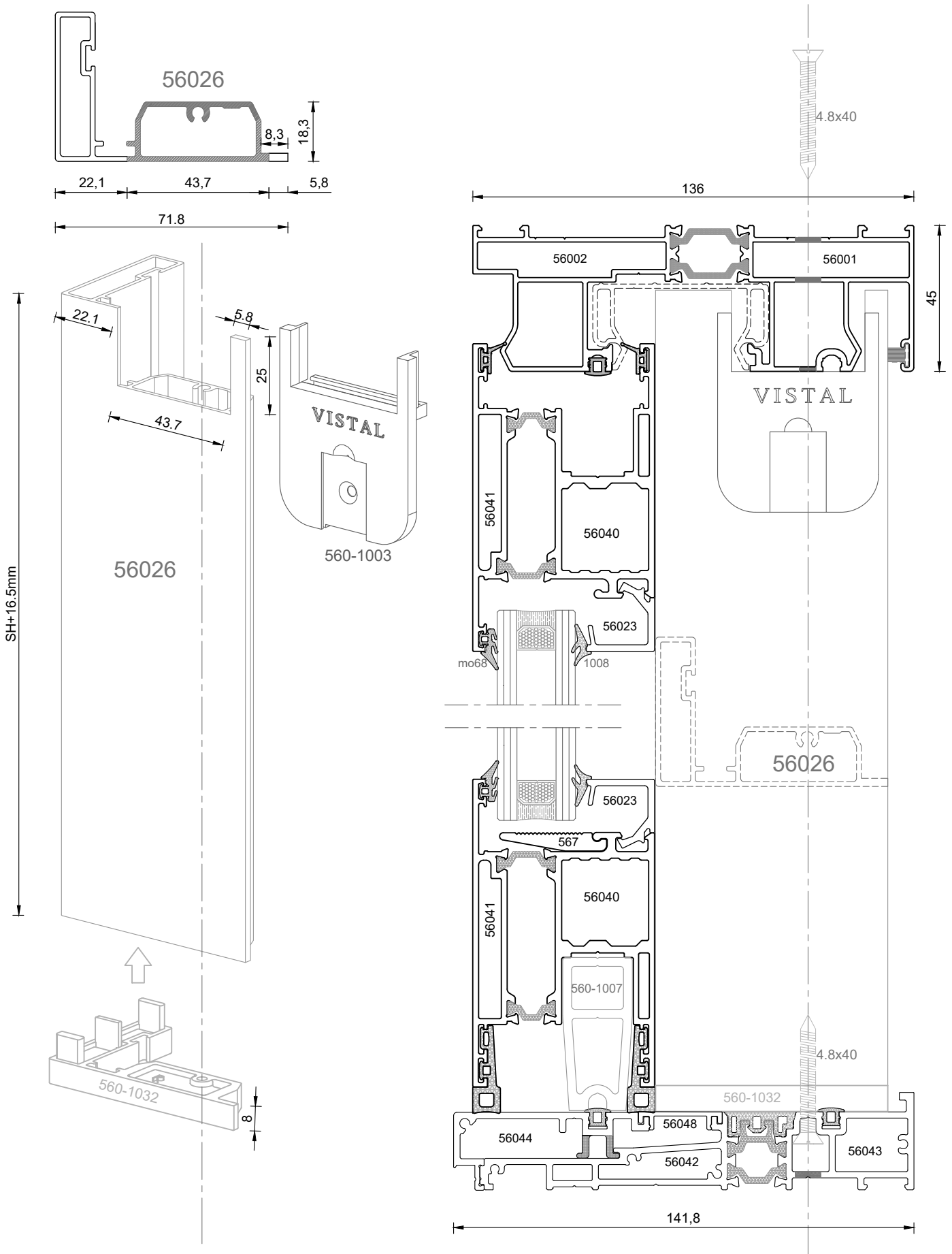
CS59
CS68
CS68F
CS68H
CS77
CS77H
MASTERLINE8
SLIMLINE38
S560
S560 Mono
S560 Threshold

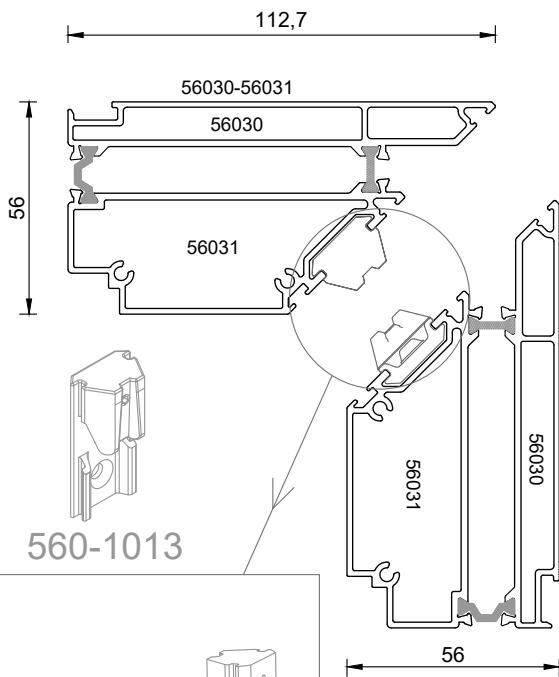
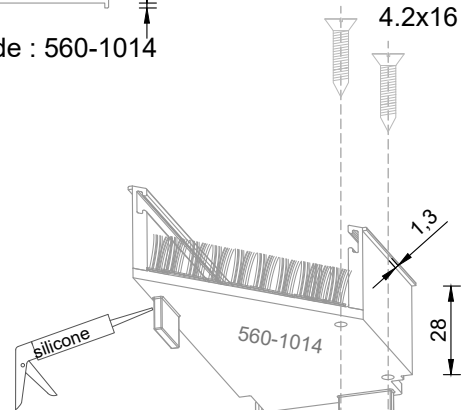
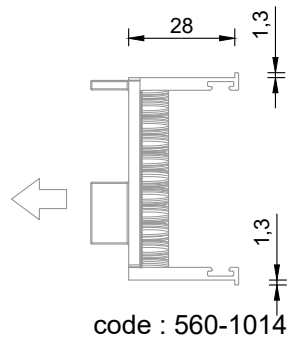
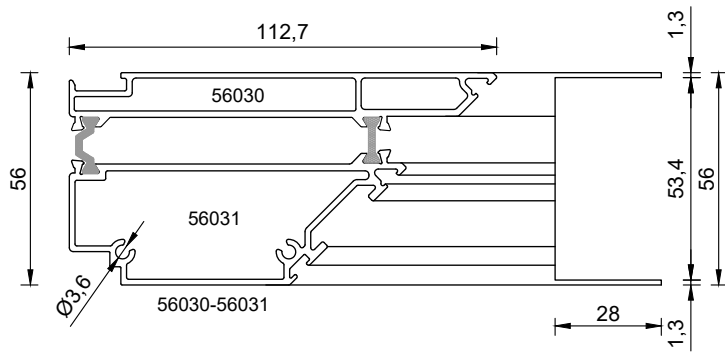
# SECTIONS

## S560 TRESHOLD - LIFT & SLIDING INSULATED SYSTEM

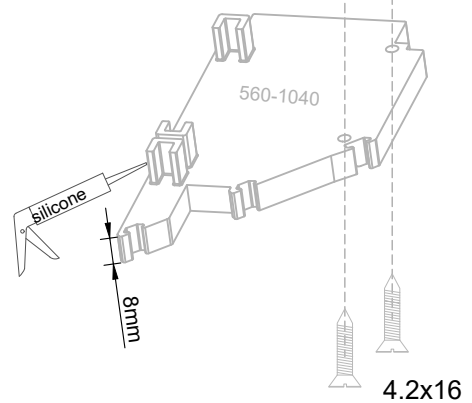
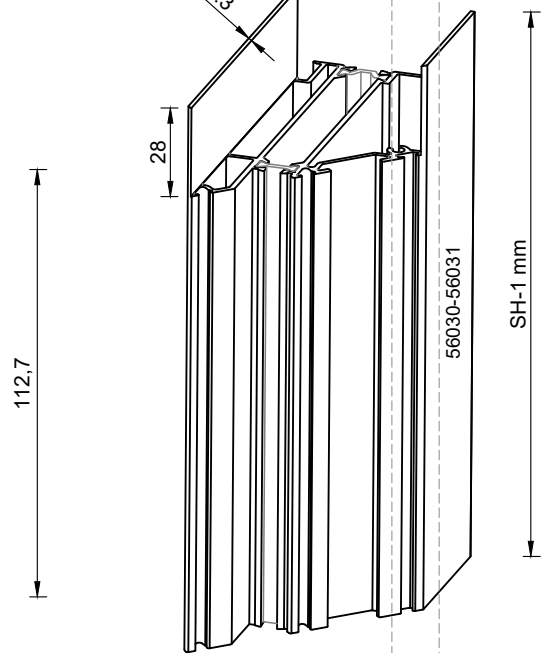
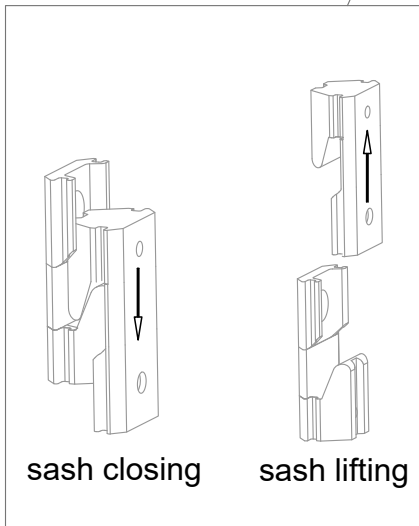


- CS59
- CS68
- CS68F
- CS68H
- CS77
- CS77H
- MASTERLINE8
- SLIMLINE38
- S560
- S560 Mono
- S560 Threshold





560-1013



- CS59
- CS68
- CS68F
- CS68H
- CS77
- CS77H
- MASTERLINE8
- SLIMLINE38
- S560
- S560 Mono
- S560 Threshold



CS59

CS68

CS68F

CS68H

CS77

CS77H

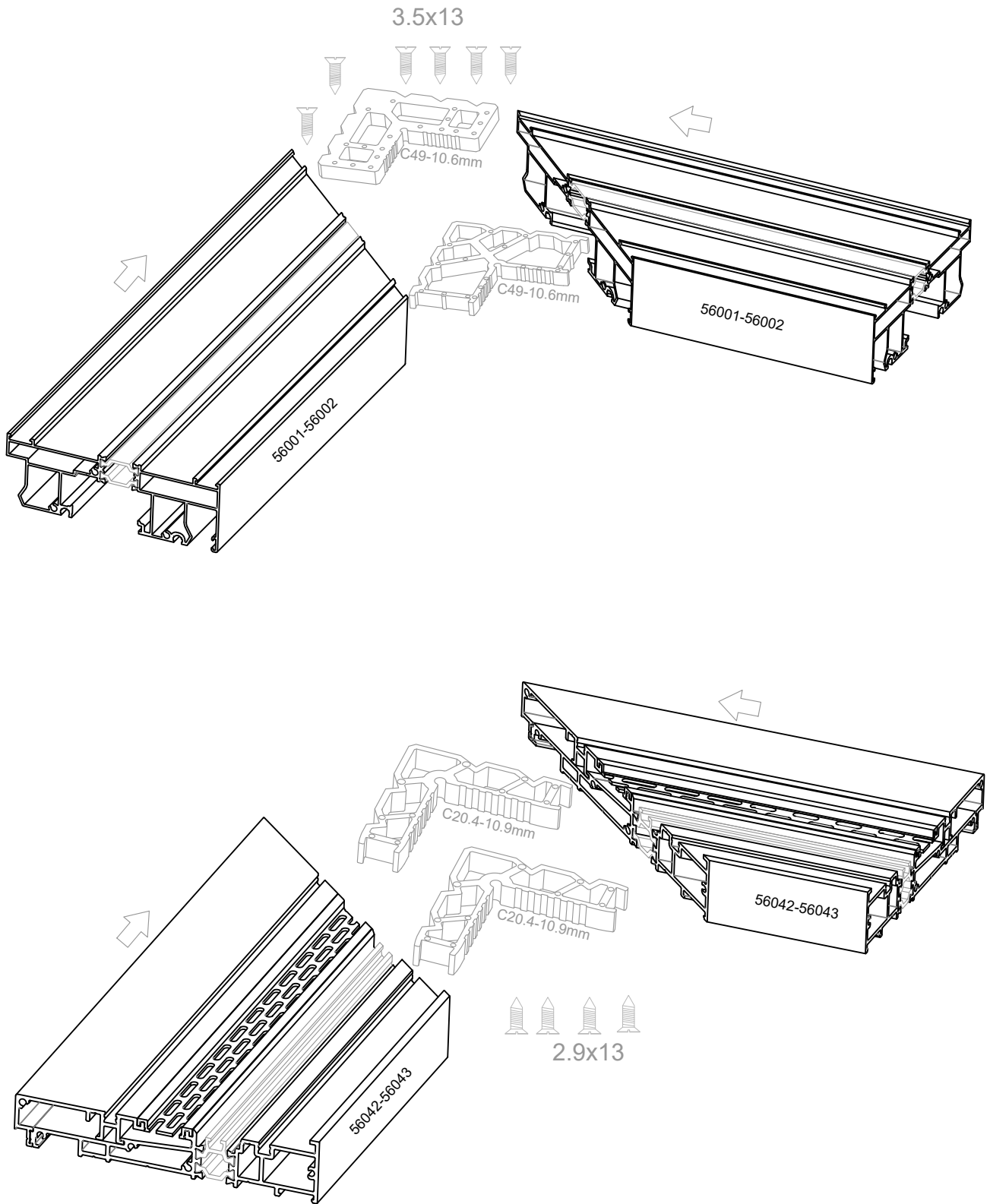
MASTERLINE8

SLIMLINE38

S560

S560 Mono

S560 Threshold



CS59
CS68
CS68F
CS68H
CS77
CS77H
MASTERLINE8
SLIMLINE38
S560
S560 Mono
<b>S560 Threshold</b>